

# NORDON CYLINDERS

**Australia**

**15 JOHNSTONE ROAD BRENDALE QLD 4500**

**PHONE : 61 7 3889 6522**

**EST.1972**

**FAX : 61 7 3889 7198**

E- mail [sales@nordoncyl.com.au](mailto:sales@nordoncyl.com.au)

A.B.N. 41 194 557 441

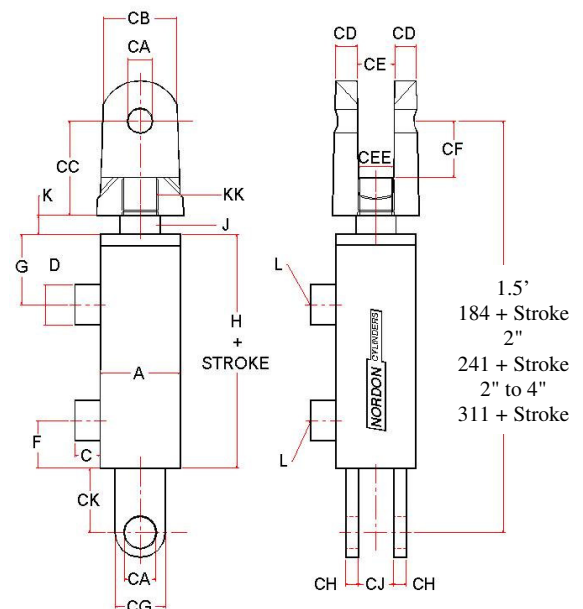
Web: [www.nordoncyl.com.au](http://www.nordoncyl.com.au)

## “NA” SERIES CYLINDERS

### DIMENSIONAL DATA

**Closed Centre 1.5” 184mm + Stroke: 2” - 50.8mm 241mm + Stroke:  
Also 2” TO 4” 311 mm + Stroke**

BORE DIA	1.5"	2"	2"	2.5"	2.5"	3"	3.5"	4"
A	48	60.3	60.3	73	73	88.9	101.6	114.3
C	12	12	13	13	13	13	13	20
D	22	22	29	29	29	29	29	31.8
F (Ref.)	29	31	38	38	38	38	38	38
G	43	49	53	53	53	61	65	64
H	104	126	133	143	143	150	163	168
J	3/4"	1"	1.25"	1.25"	1.5"	1.5"	1.75"	2"
	19.05	25.4	31.75	31.75	38.1	38.1	44.45	50.8
K	14	8	52	42	42	35	8	3
KK	5/8"	3/4"	1.1/8"	1.1/8"	1.1/8"	1.1/8"	1. 1/2"	1. 1/2"
L	9/16"	9/16"	9/16"	3/4"	3/4"	3/4"	3/4"	7/8"
	UNO	UNO	UNO	UNO	UNO	UNO	UNO	UNO
CA	1/2"	3/4"	1"	1"	1"	1"	1"	1"
	12.7	19.05	25.4	25.4	25.4	25.4	25.4	25.4
CB	38	64	64	64	64	64	70	70
CC	40	75	75	75	75	75	85	85
CD	10	16	16	16	16	16	21.5	21.5
CE	17	28	28	28	28	28	28	28
CEE	17	28	28	28	28	28	28	28
CF	26	45	45	45	45	45	55	55
CG	38	40	40	50	50	50	65	65
CH	10	12	12	16	16	16	20	20
CJ	17	28	28	30	30	30	30	30
CK	26	47	51	51	51	51	55	55



CYLINDER YIELD		FACTOR 4 : 1	
BORE	SHAFT	OPERATING PRESSURE	CYLINDER EXTEND FORCE
1.5"	3/4"	3000 psi	5300 lb
38.1	19mm	204 bar	24Kn
2"	1" & 1.25"	3000psi	9425 lbf
50.8mm	25.4 & 31.75	204 bar	42 kn
2.5"	1.25" & 1.5"	2400 psi	11780lbf
63.5mm	31.75 & 38.1	163 bar	52 kn
3"	1.5"	2500 psi	17,600 lbf
76.2	38.1 mm	170 bar	78 kn
3.5"	1.75"	2500 psi	24,000lbf
88.9mm	44.45 mm	170 bar	107 kn
4"	2"	2000 psi	25,100lbf
101.6	50.8 mm	136 bar	112 kn

*“Strokes ahead of the Rest”*

SUBJECT TO CHANGE WITHOUT NOTICE

24/11/06