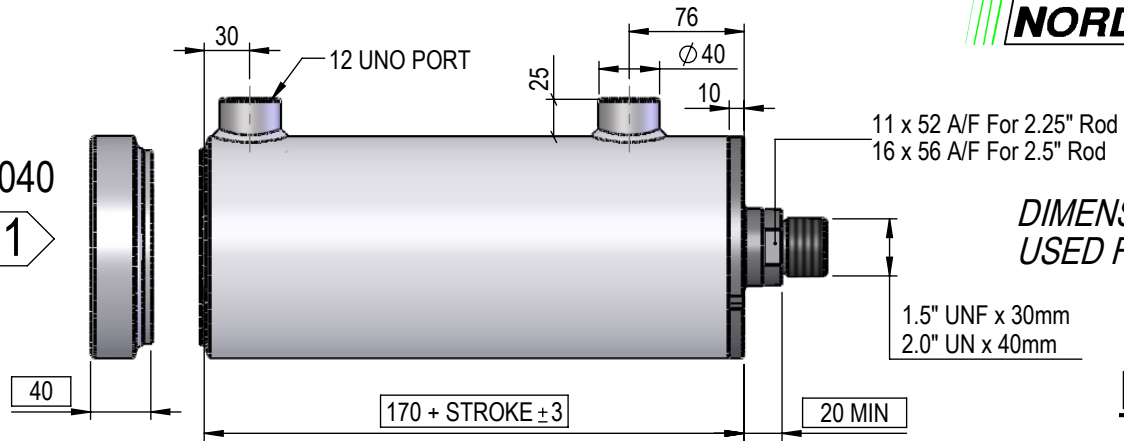


NI SERIES 5" BORE 2.25" OR 2.5" ROD CYLINDER

EP5040

P1

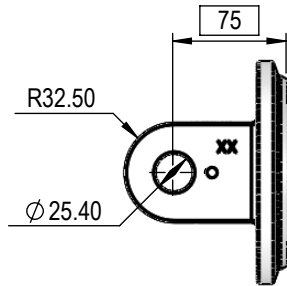
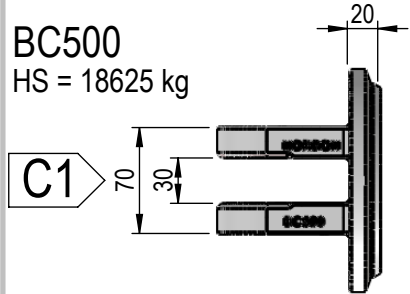


DIMENSIONS IN BOXES TO BE USED FOR BUILD LENGTH

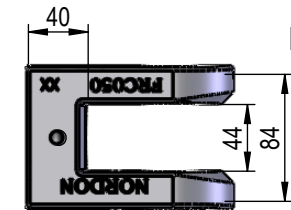
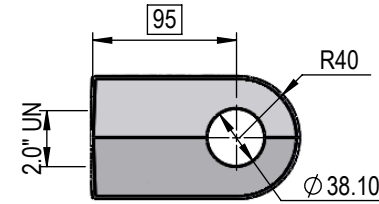
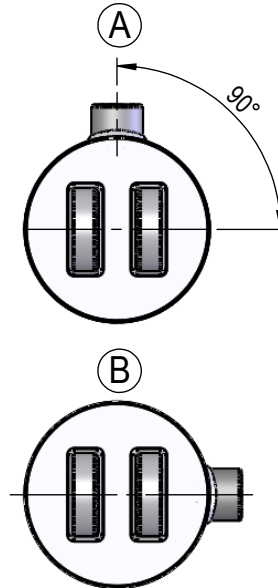
FEMALE CLEVIS

FEMALE CLEVIS

BC500
HS = 18625 kg



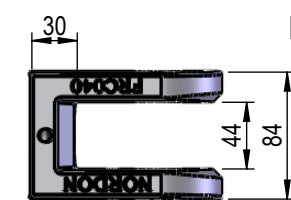
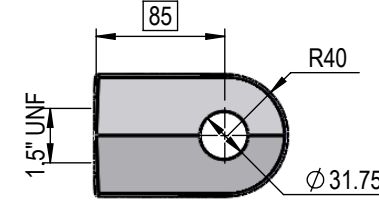
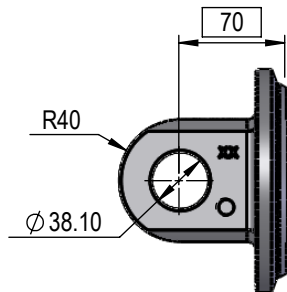
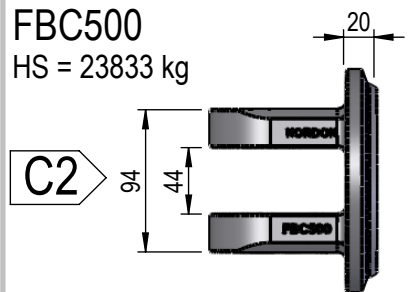
PORT POSITION



FRC050
HS = 20503 kg

C1

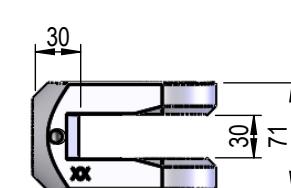
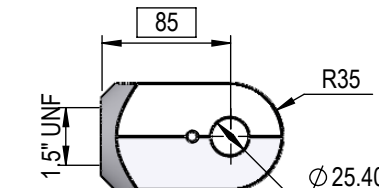
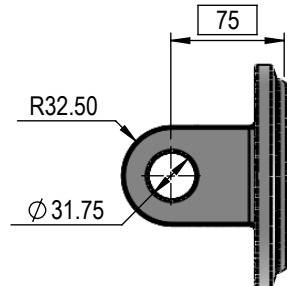
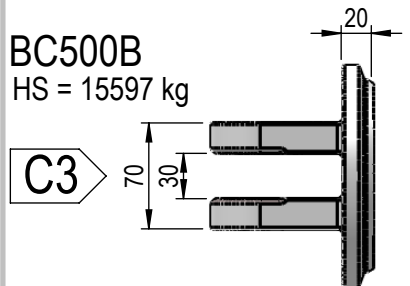
FBC500
HS = 23833 kg



FRC040
HS = 20747 kg

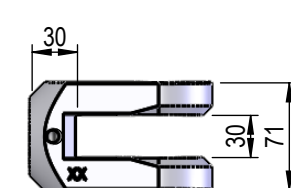
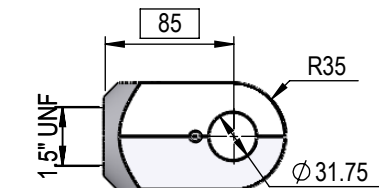
C2

BC500B
HS = 15597 kg



CL002
HS = 21216 kg

C3



CL002B
HS = 18029 kg

C4

NI SERIES

5" BORE

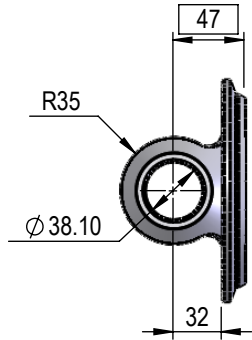
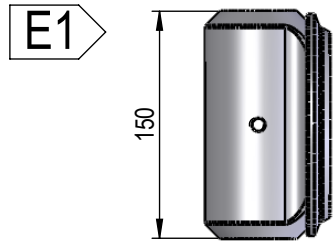
2.25" OR 2.5" ROD

CYLINDER

PIN-EYE

PBC500-15I150M

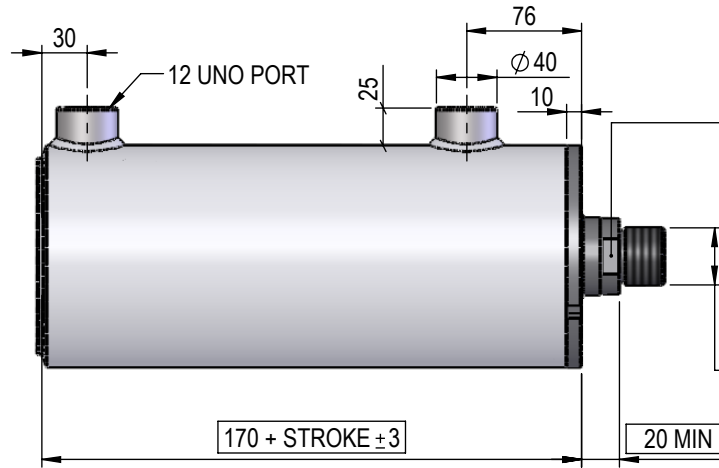
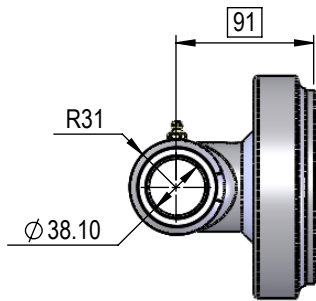
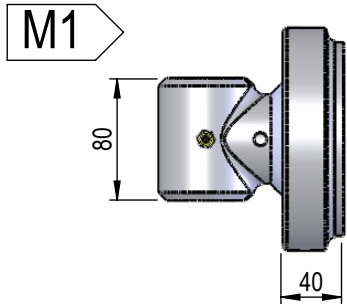
HS = 51091 kg



MALE LUG

EC15I80M15I + EP5040

HS = 19569 kg



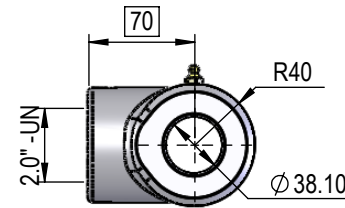
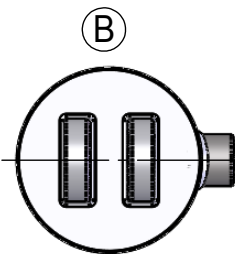
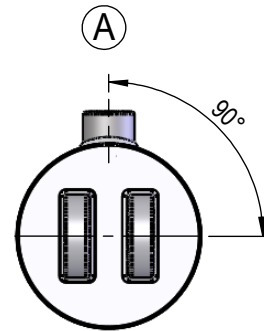
11 x 52 A/F For 2.25" Rod
16 x 56 A/F For 2.5" Rod

DIMENSIONS IN BOXES TO BE USED FOR BUILD LENGTH

1.5" UNF x 30mm
2.0" UN x 40mm

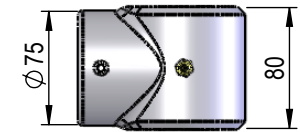
PIN-EYE

PORT POSITION

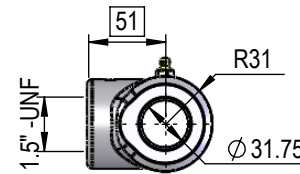


EC15I80M20I

HS = 34774 kg



E1

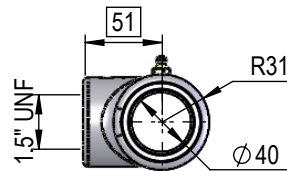


EC12I60M15I

HS = 15460 kg

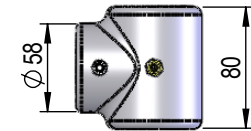


E2

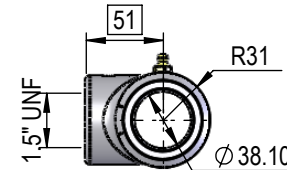


EC40M80M15I

HS = 17808 kg

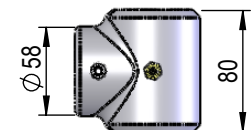


E3



EC15I80M15I

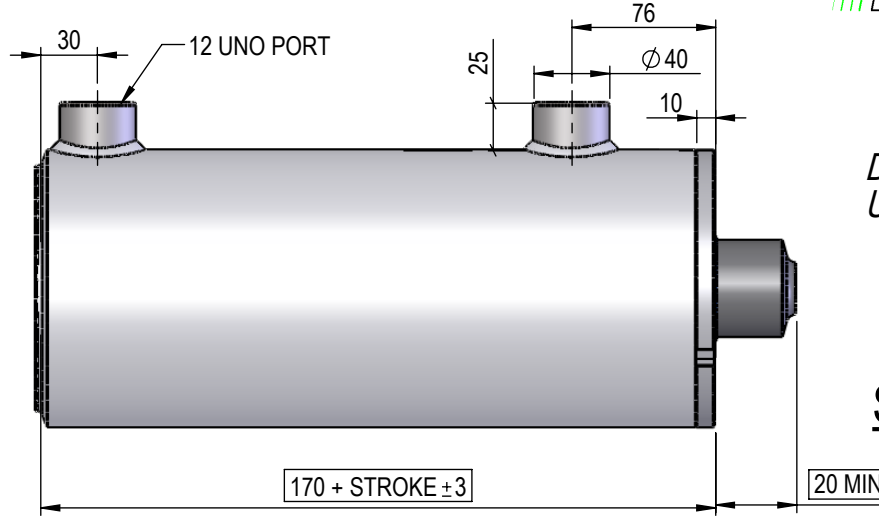
HS = 19569 kg



E4

NI SERIES
5" BORE
2.25" OR 2.5" ROD
CYLINDER

EP5040
 P1



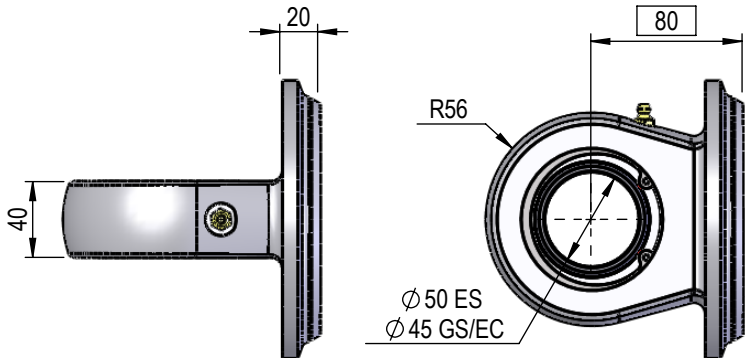
DIMENSIONS IN BOXES TO BE USED FOR BUILD LENGTH

SPHERICAL BEARING

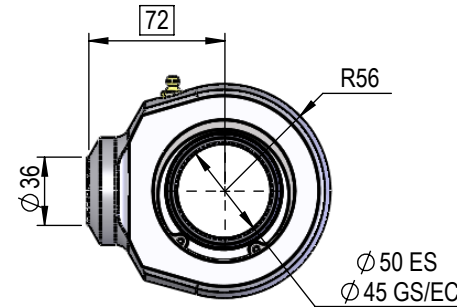
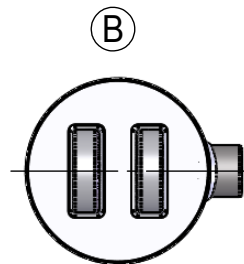
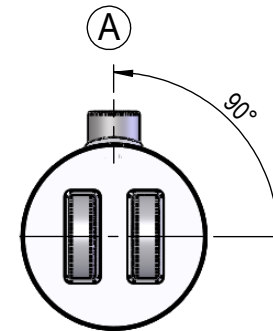
SPHERICAL BEARING

SB-500-50
 HS = 16217 kg

B1



PORT POSITION



SBR50
 HS = 16220 kg

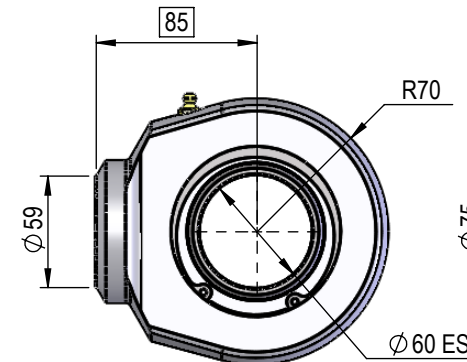
B1

(SUIT 2.25" ROD)

SBR60
 HS = 26645 kg

B2

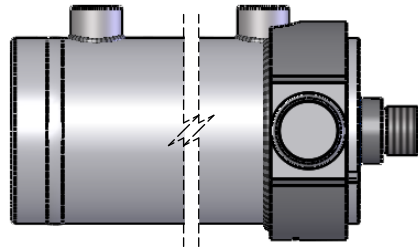
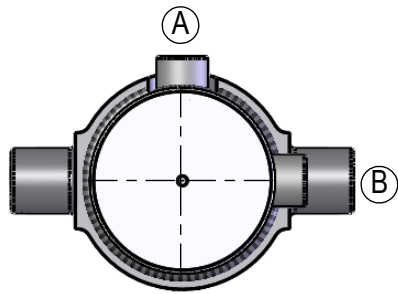
(SUIT 2.5" ROD)



NI SERIES 5" BORE 2.25" OR 2.5" ROD CYLINDER

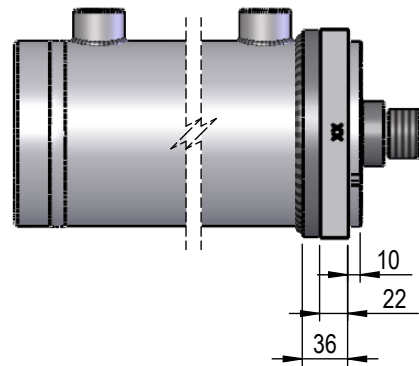
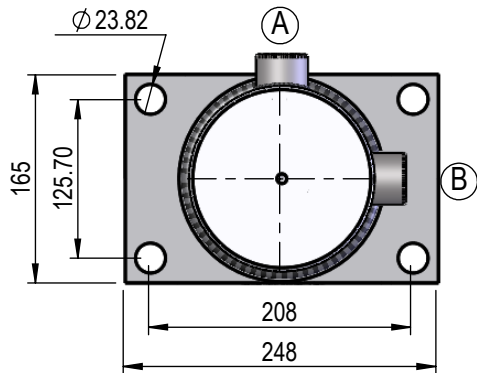
TRUNION MOUNT

TR50
T1



FLANGE MOUNT

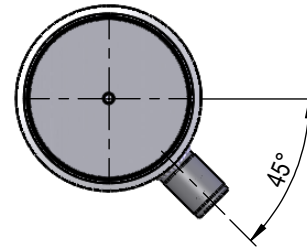
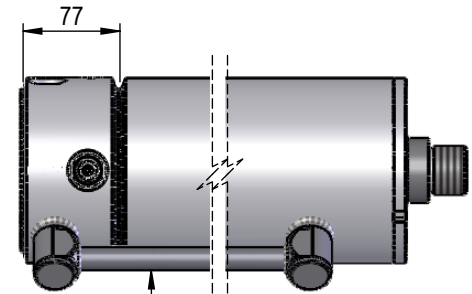
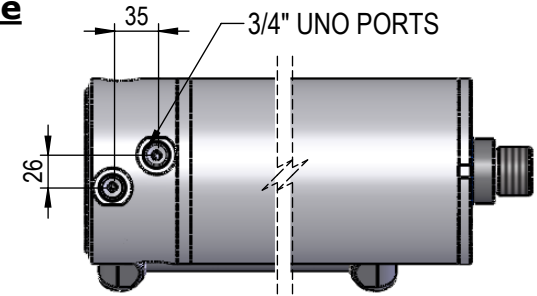
FL50
F1



INTERNAL VALVE OPTIONS

Double Counterbalance Valve

Valve cavity Sun T11A
60Lt Pilot operated check valves
Or
60Lt Counterbalance Valves



Single Counterbalance Valve

Valve cavity Sun T11A
60Lt Pilot operated check valve
Or
60Lt Counterbalance Valve
Base side holding

