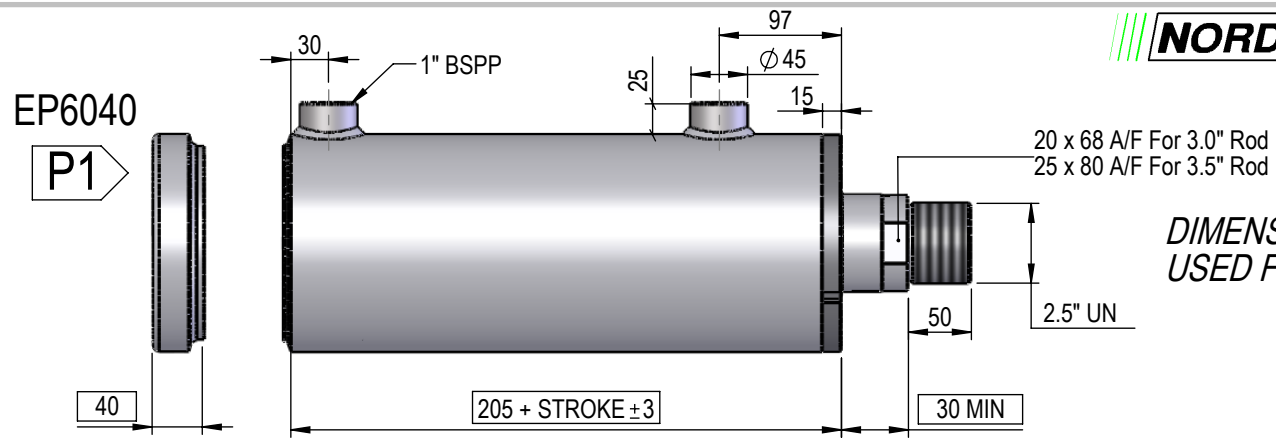


# NI SERIES 6" BORE 3" OR 3.5" ROD CYLINDER

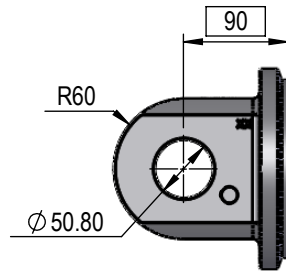
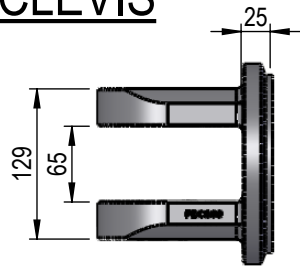


*DIMENSIONS IN BOXES TO BE USED FOR BUILD LENGTH*

## FEMALE CLEVIS

FBC600  
HS = 48855 kg

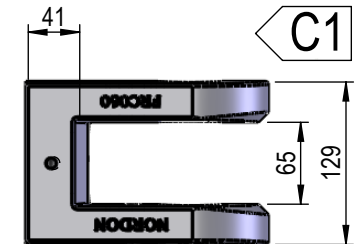
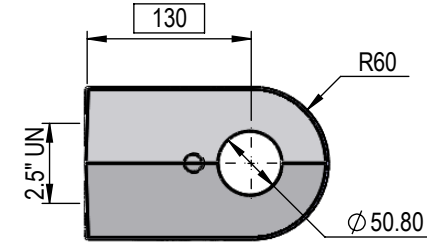
C1



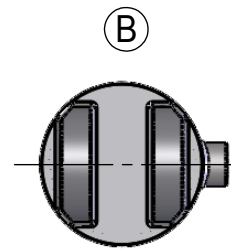
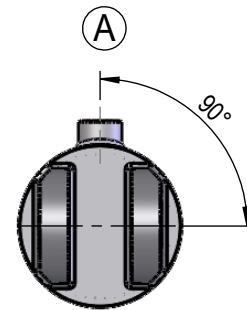
## FEMALE CLEVIS

FRC600  
HS = 47761 kg

C1



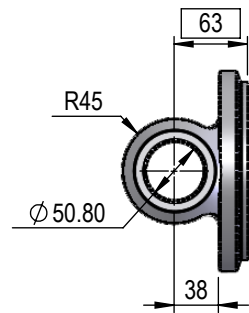
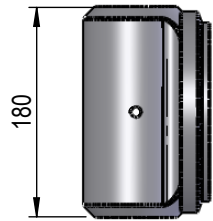
## PORT POSITION



## PIN EYE

PBC600-201180M  
HS = 77350 kg

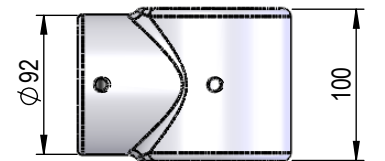
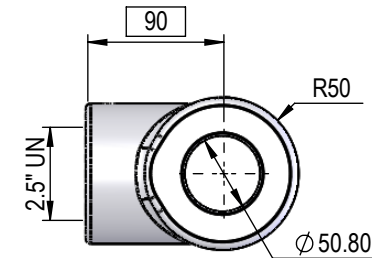
E1



## PIN EYE

EC201100M25I  
HS = 53041 kg

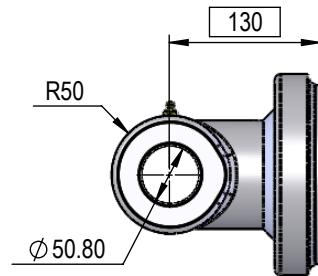
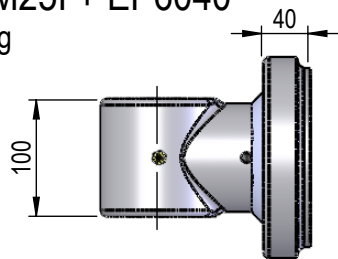
E1



## MALE LUG

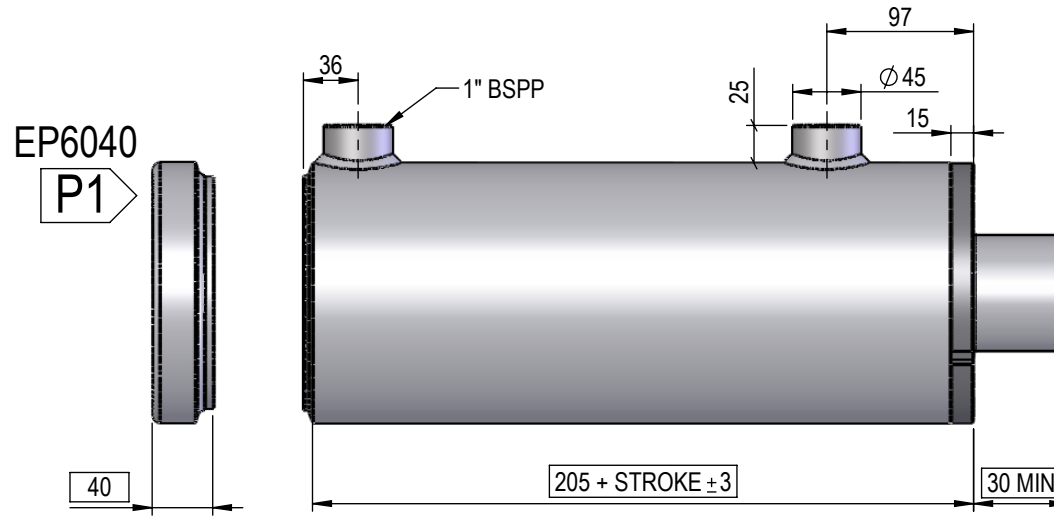
EC201100M25I + EP6040  
HS = 53041 kg

M1



HS = Housing Strength With F.O.S of 3:1

**NI SERIES**  
**6" BORE**  
**3" OR 3.5" ROD**  
**CYLINDER**



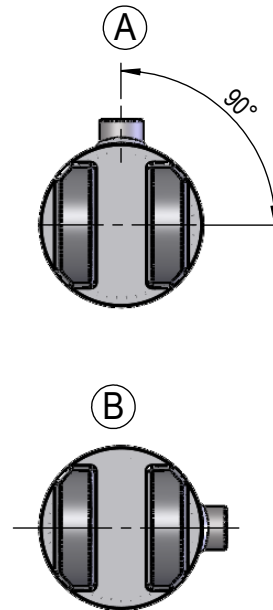
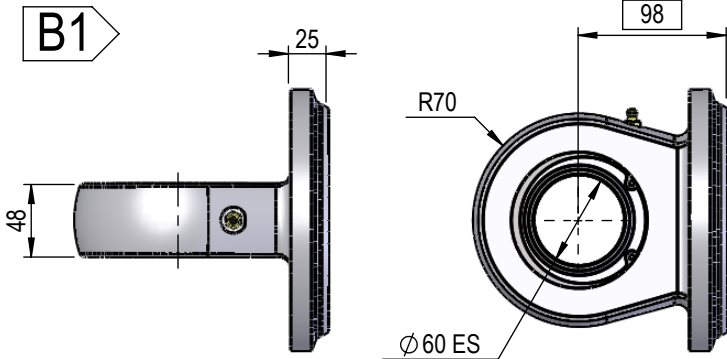
*DIMENSIONS IN BOXES TO BE USED FOR BUILD LENGTH*

**SPHERICAL BEARING**

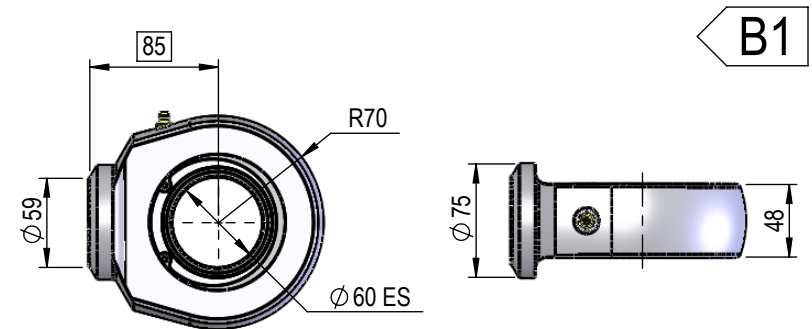
**PORT POSITION**

**SPHERICAL BEARING**

SB-600-60  
 HS = 26645 kg



SBR60  
 HS = 26645 kg



# NI SERIES

## 6" BORE

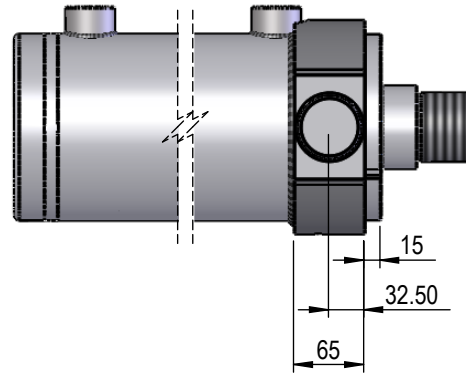
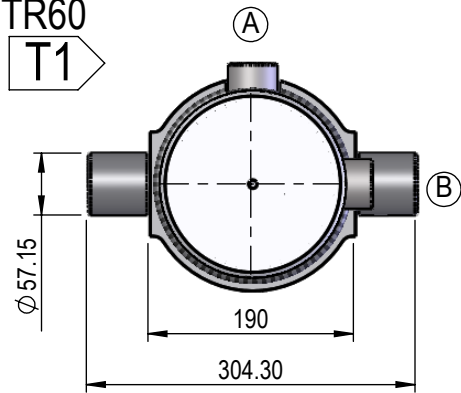
## 3" OR 3.5" ROD

## CYLINDER

### TRUNION MOUNT

TR60

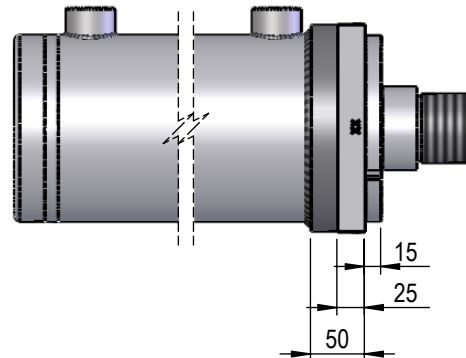
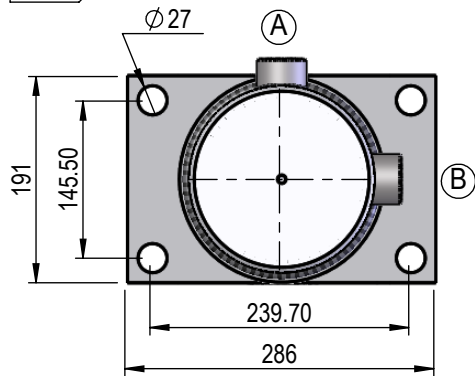
T1



### FLANGE MOUNT

FL60

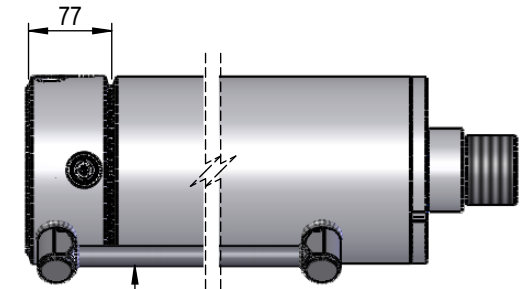
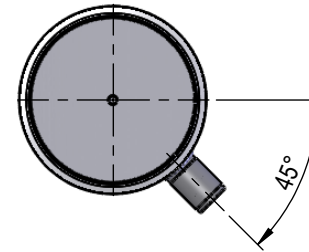
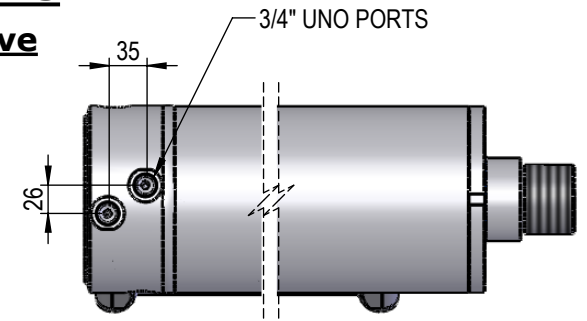
F1



### INTERNAL VALVE OPTIONS

#### Double Counterbalance Valve

Valve cavity Sun T11A  
60Lt Pilot operated check valves  
Or  
60Lt Counterbalance Valves



Transfer Tube can be welded or use fittings

#### Single Counterbalance Valve

Valve cavity Sun T11A  
60Lt Pilot operated check valve  
Or  
60Lt Counterbalance Valve  
Base side holding

