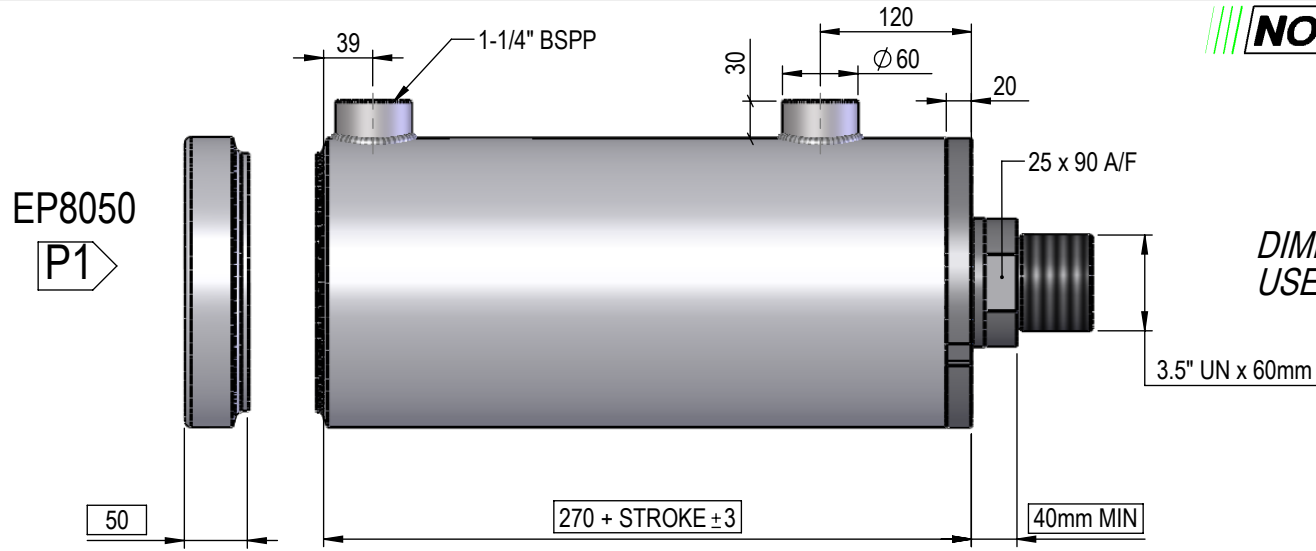


NI SERIES
8.0" BORE
4.0" ROD
CYLINDER

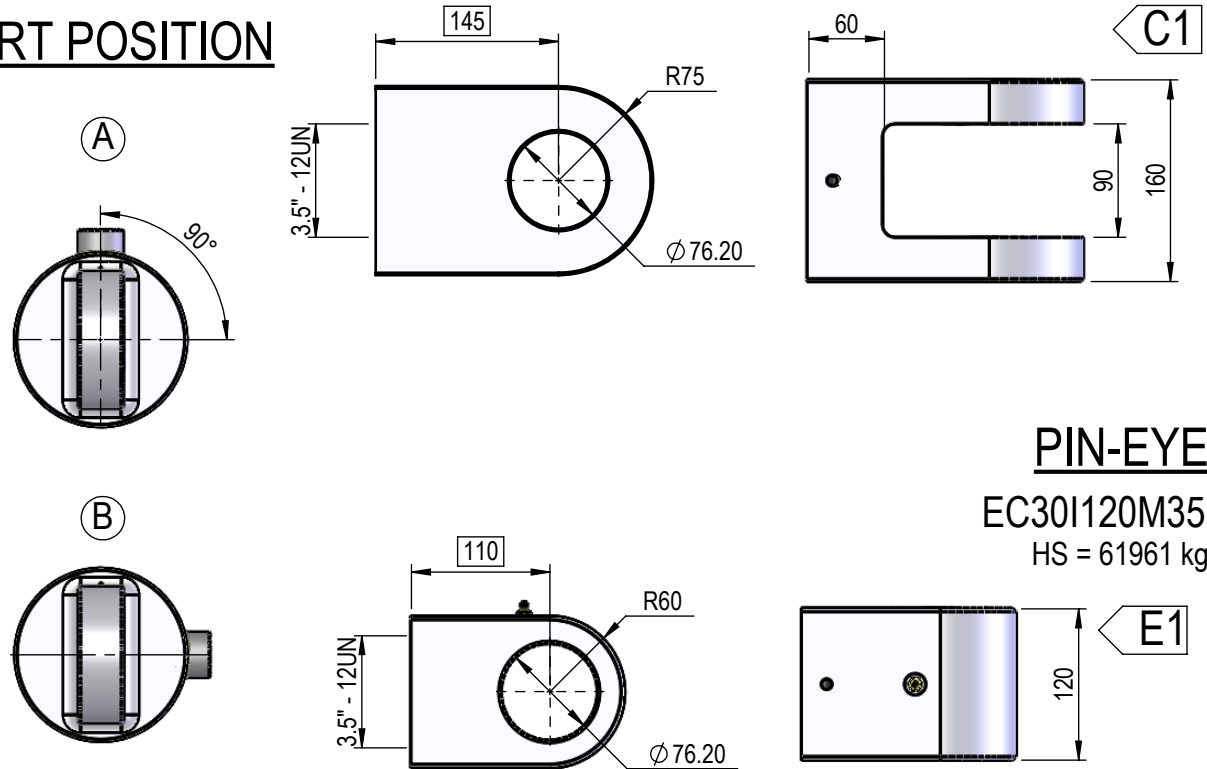


FEMALE CLEVIS

FRC060
 HS = 61242 kg

C1

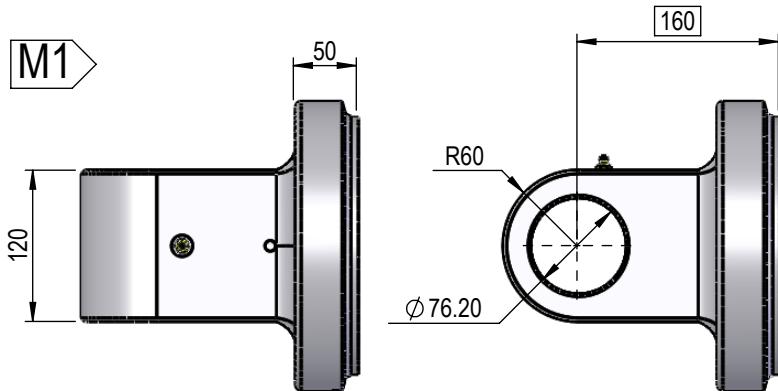
PORT POSITION



MALE LUG

EC30I120M35I + EP8050
 HS = 61961 kg

M1



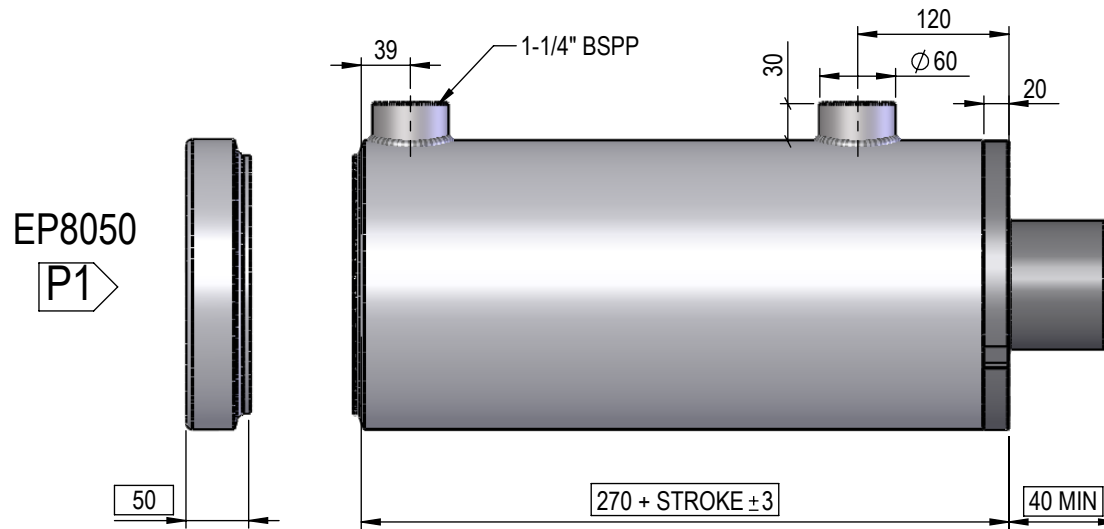
PIN-EYE

EC30I120M35I
 HS = 61961 kg

E1

HS = Housing Strength With F.O.S of 3:1

NI SERIES
8.0" BORE
4.0" ROD
CYLINDER



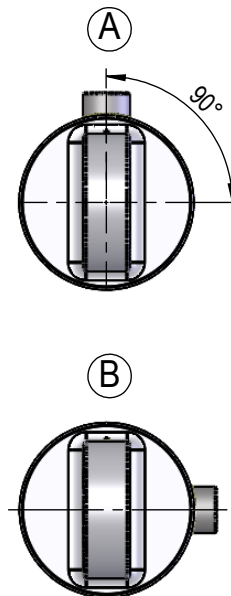
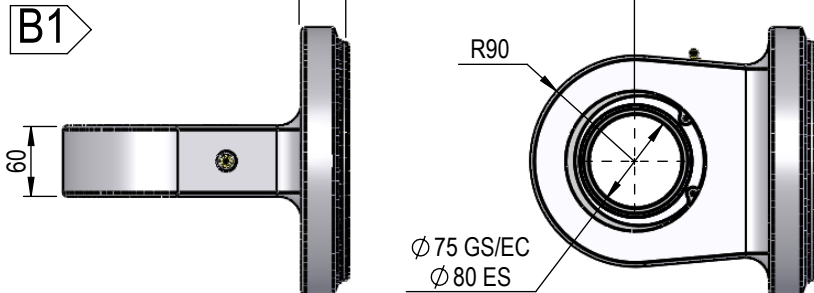
DIMENSIONS IN BOXES TO BE USED FOR BUILD LENGTH

SPHERICAL BEARING

PORT POSITION

SPHERICAL BEARING

SB-800-80
 HS = 42250 kg



SBR80
 HS = 42250 kg

