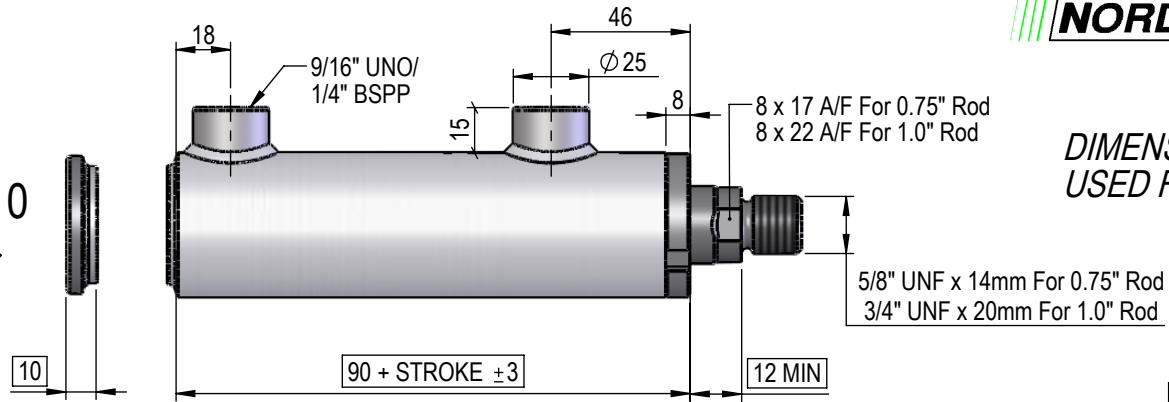


# NI SERIES 1.5" BORE 0.75" OR 1.0" ROD CYLINDER

*DIMENSIONS IN BOXES TO BE USED FOR BUILD LENGTH*

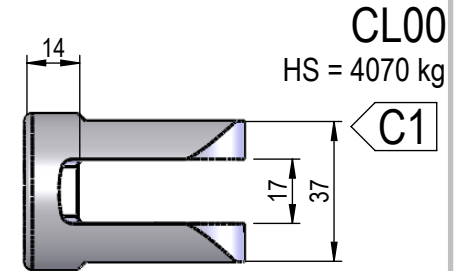
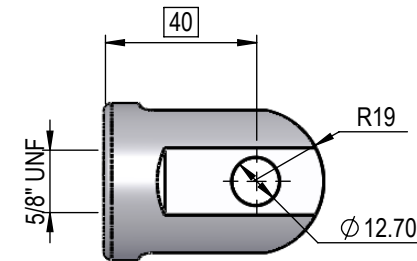
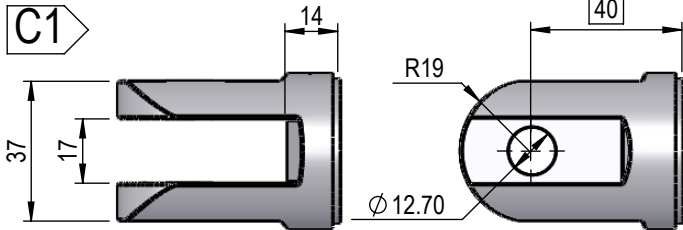
EP1510  
P1



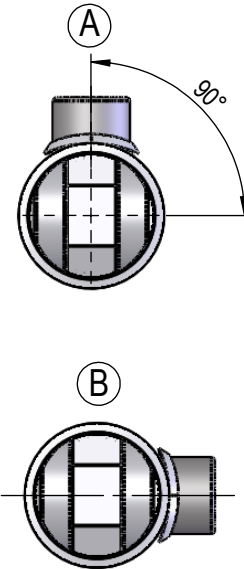
## FEMALE CLEVIS

## FEMALE CLEVIS

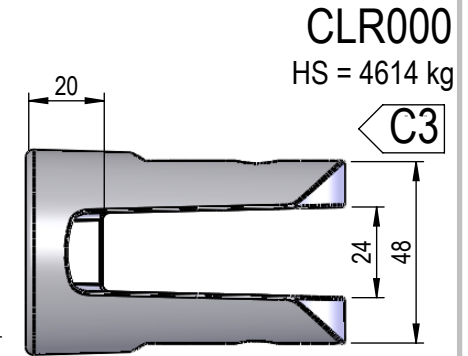
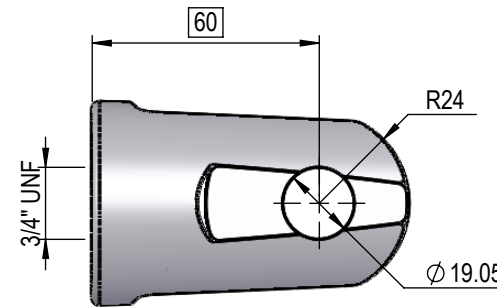
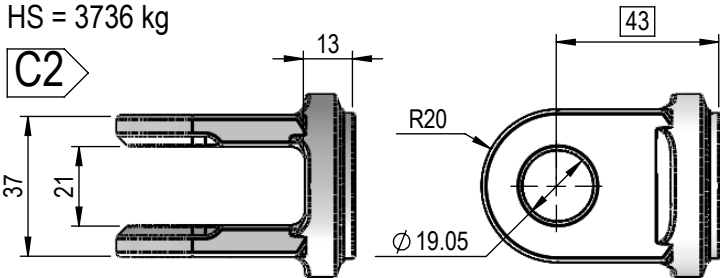
BC150  
HS = 4063 kg



## PORT POSITION

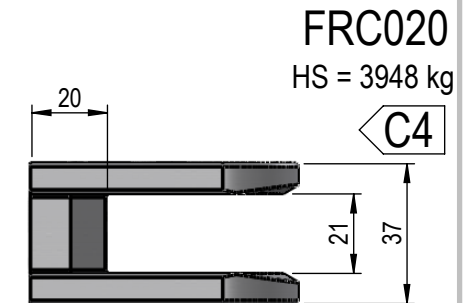
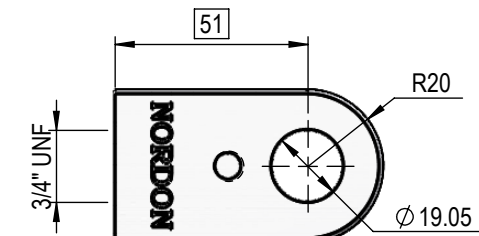


BC150-K  
HS = 3736 kg



HS = Housing Strength With F.O.S of 3:1

THIS DRAWING AND THE INFORMATION IT CONTAINS IS THE PROPERTY OF NORDON HYDRAULICS PTY LTD AND MAY NOT BE USED FOR ANY PURPOSE WITHOUT WRITTEN AUTHORISATION FROM THE COMPANY. DRAWINGS SUBJECT TO CHANGE WITHOUT NOTICE. E&OE

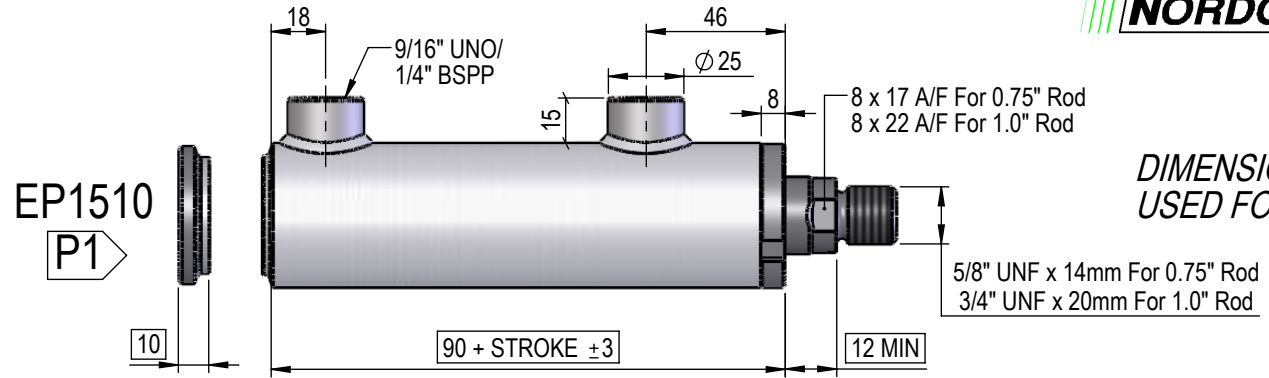


# NI SERIES

## 1.5" BORE

## 0.75" OR 1.0" ROD

### CYLINDER

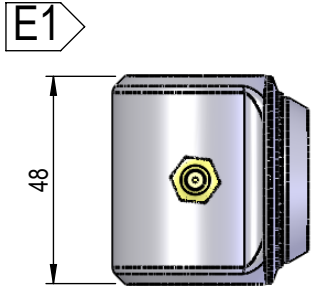


*DIMENSIONS IN BOXES TO BE USED FOR BUILD LENGTH*

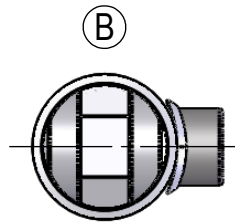
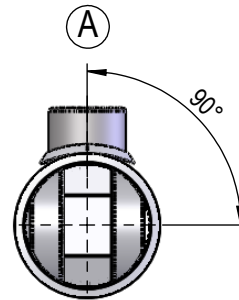
### PIN-EYE

#### PBC150-07I48M

HS = 8563 kg



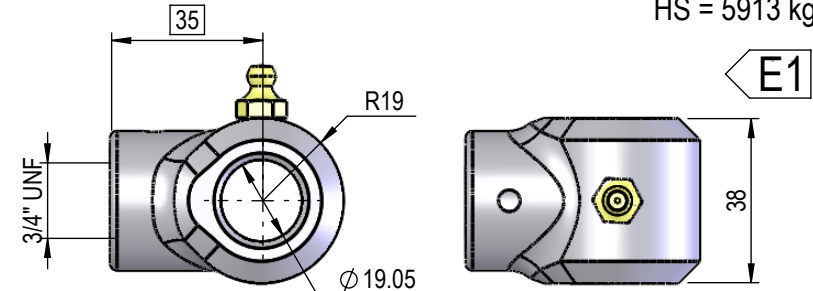
### PORT POSITION



### PIN-EYE

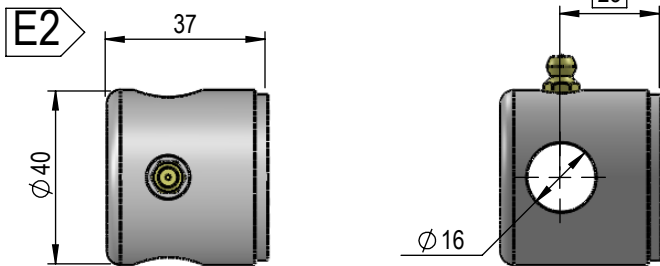
#### EC07I38M07I

HS = 5913 kg



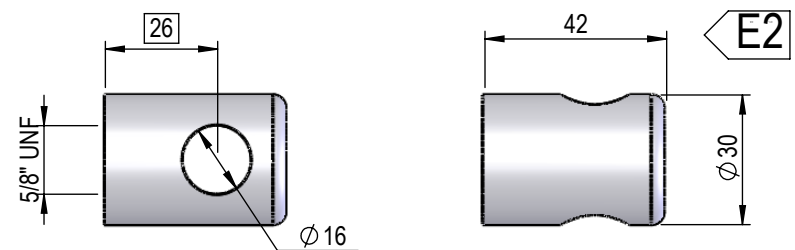
### EP15-E16M23M40M

HS = 5886 kg



### E16M30M06I

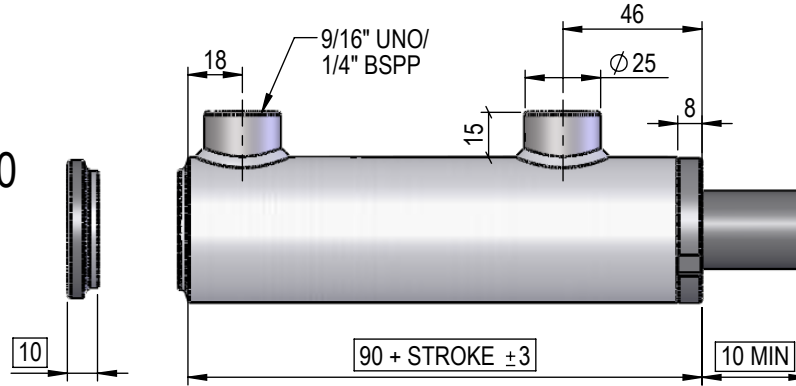
HS = 2981 kg



HS = Housing Strength With F.O.S of 3:1

**NI SERIES**  
**1.5" BORE**  
**0.75" OR 1.0" ROD**  
**CYLINDER**

EP1510  
 P1

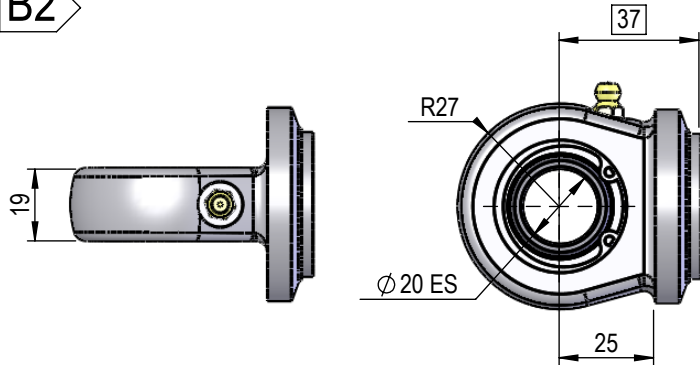


*DIMENSIONS IN BOXES TO BE USED FOR BUILD LENGTH*

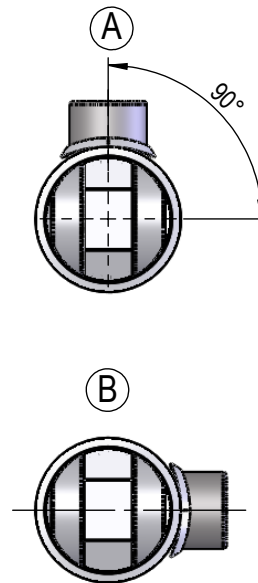
**SPHERICAL BEARING**

SB150-20  
 HS = 3917 kg

B2



**PORT POSITION**

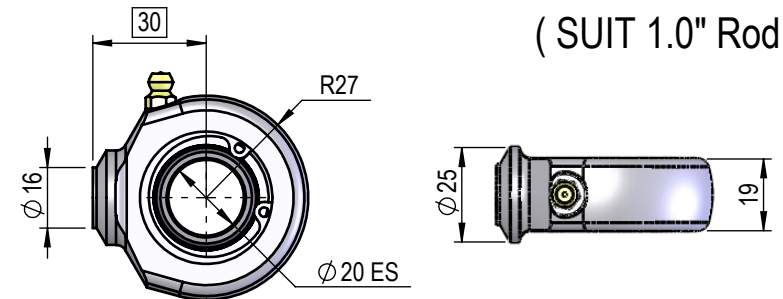


**SPHERICAL BEARING**

SBR20  
 HS = 3921 kg

B1

( SUIT 1.0" Rod )

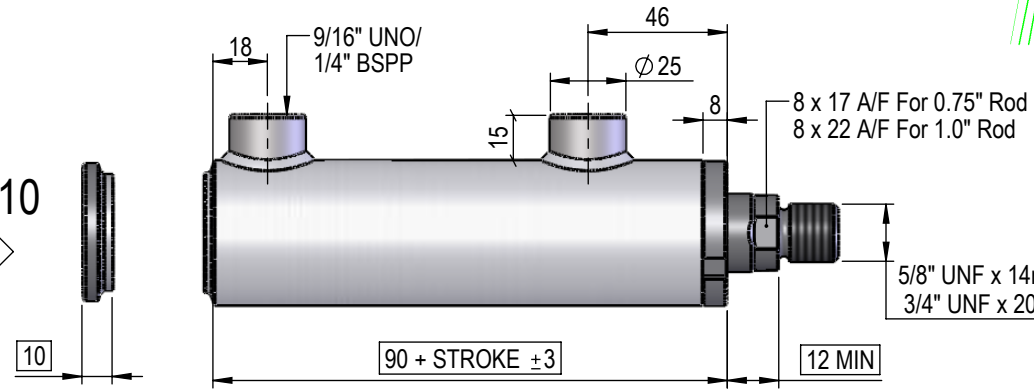


HS = Housing Strength With F.O.S of 3:1

THIS DRAWING AND THE INFORMATION IT CONTAINS IS THE PROPERTY OF NORDON HYDRAULICS PTY LTD AND MAY NOT BE USED FOR ANY PURPOSE WITHOUT WRITTEN AUTHORISATION FROM THE COMPANY. DRAWINGS SUBJECT TO CHANGE WITHOUT NOTICE. E&OE

**NI SERIES**  
**1.5" BORE**  
**0.75" OR 1.0" ROD**  
**CYLINDER**

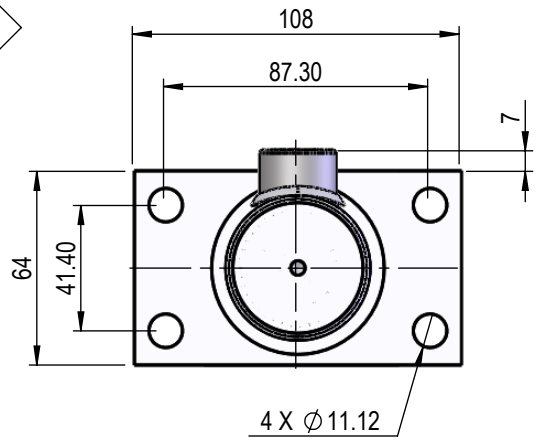
EP1510  
 P1



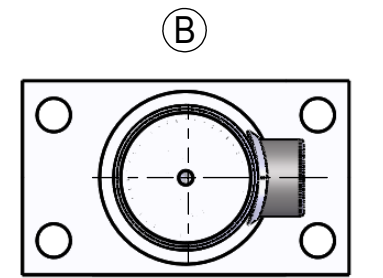
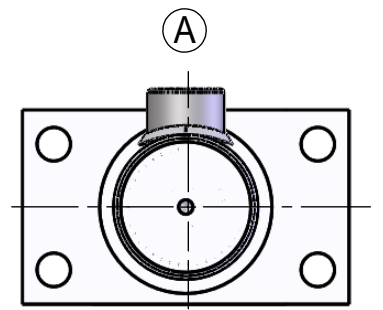
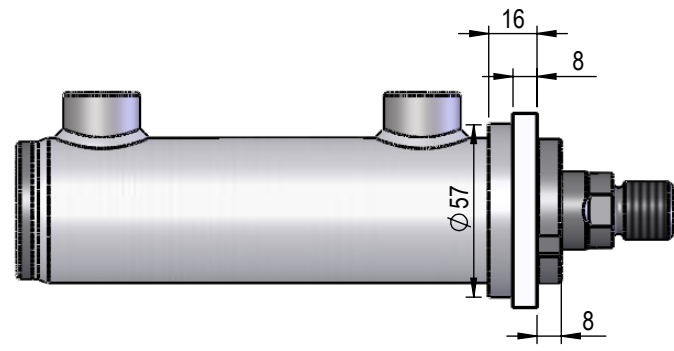
*DIMENSIONS IN BOXES TO BE USED FOR BUILD LENGTH*

**FLANGE**

NFPA15  
 F1



**PORT POSITION**



THIS DRAWING AND THE INFORMATION IT CONTAINS IS THE PROPERTY OF NORDON HYDRAULICS PTY LTD AND MAY NOT BE USED FOR ANY PURPOSE WITHOUT WRITTEN AUTHORISATION FROM THE COMPANY. DRAWINGS SUBJECT TO CHANGE WITHOUT NOTICE. E&OE