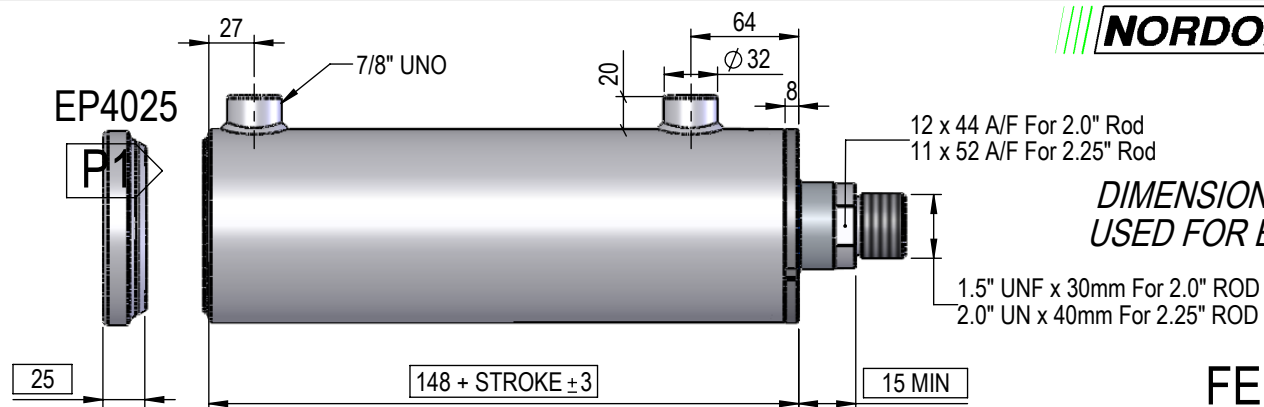


NI SERIES 4" BORE 2" OR 2.25" ROD CYLINDER

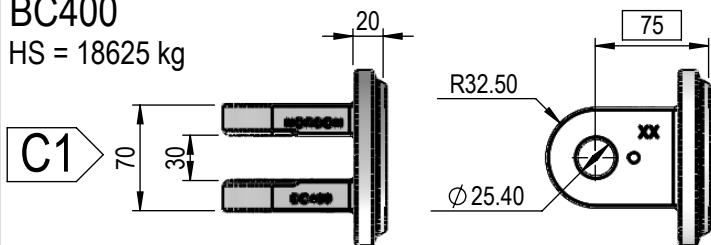
FEMALE CLEVIS



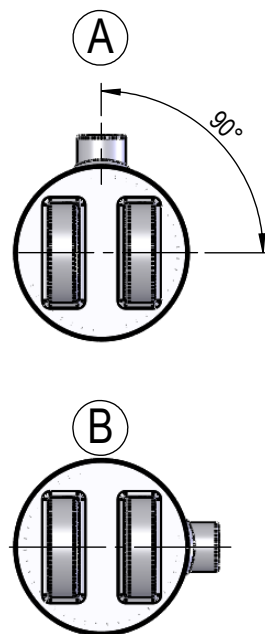
DIMENSIONS IN BOXES TO BE USED FOR BUILD LENGTH

FEMALE CLEVIS

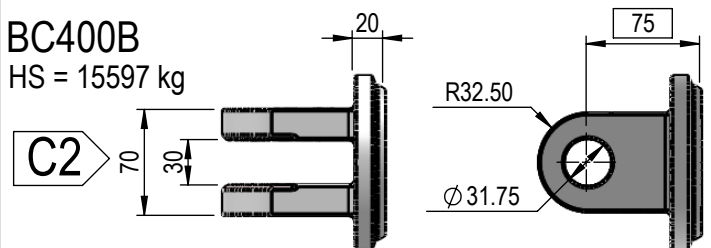
BC400
HS = 18625 kg



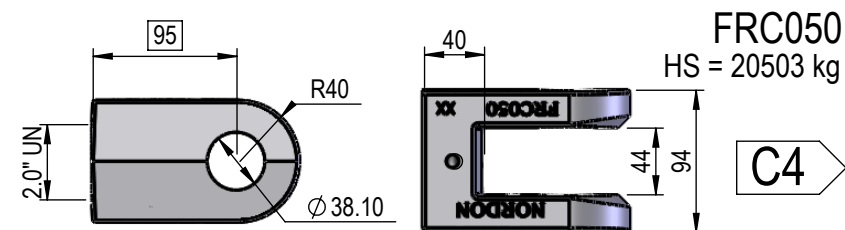
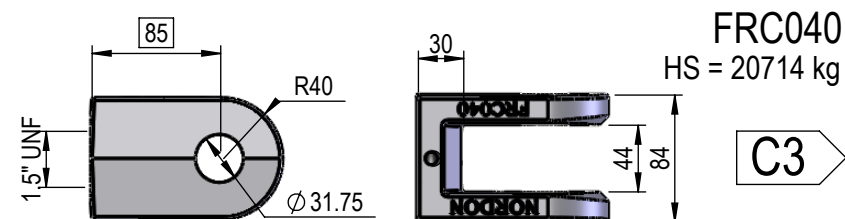
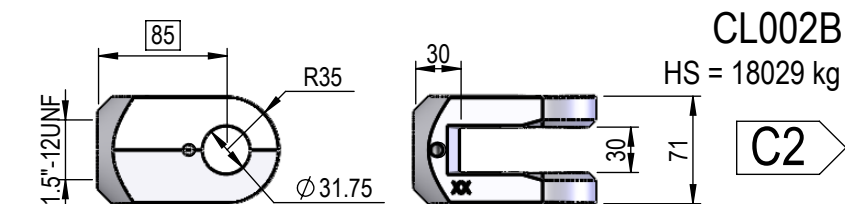
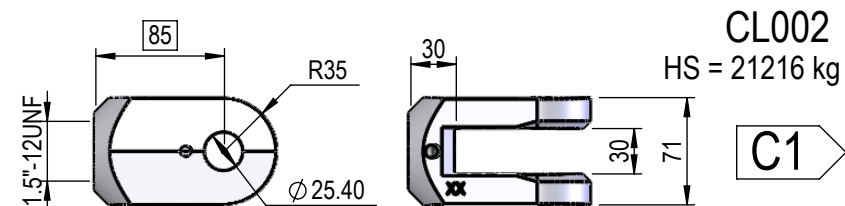
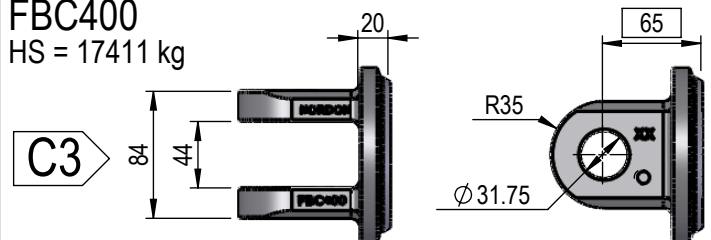
PORT POSITION



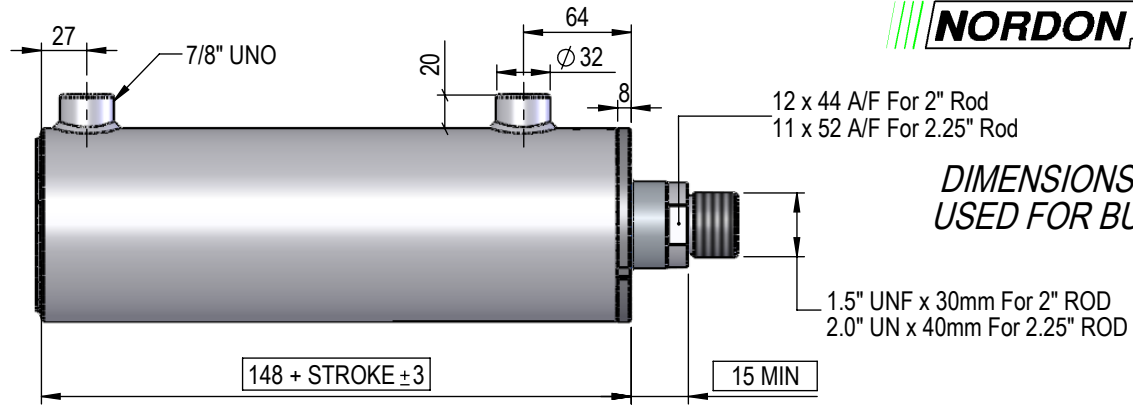
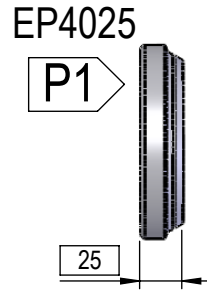
BC400B
HS = 15597 kg



FBC400
HS = 17411 kg



NI SERIES 4" BORE 2" OR 2.25" ROD CYLINDER

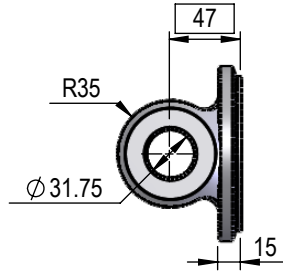
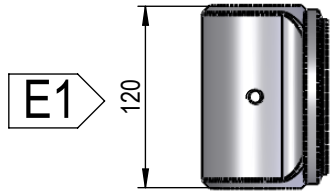


DIMENSIONS IN BOXES TO BE USED FOR BUILD LENGTH

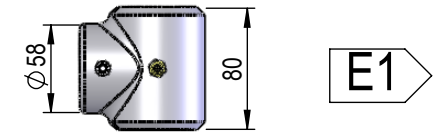
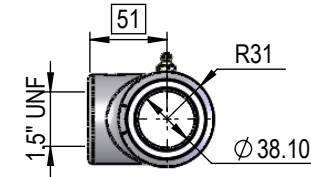
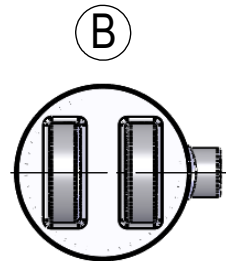
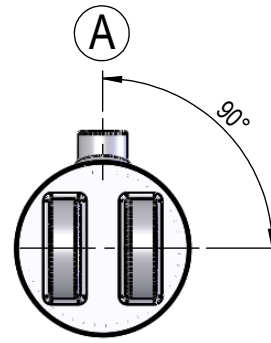
PIN-EYE

PIN-EYE

PBC400-12I120M
HS = 49901 kg

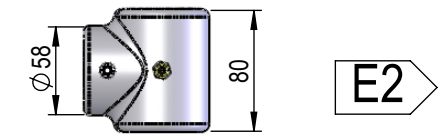
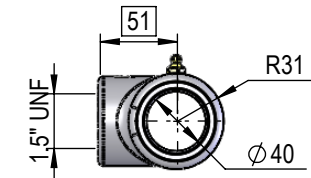
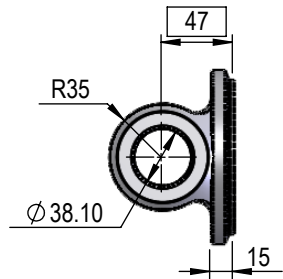
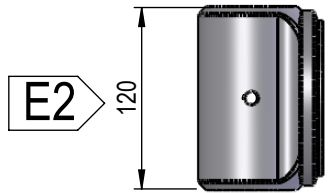


PORT POSITION



EC15I80M15I
HS = 19569 kg

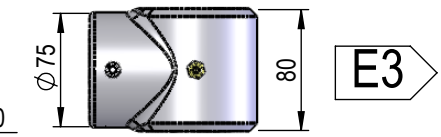
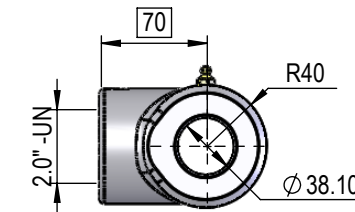
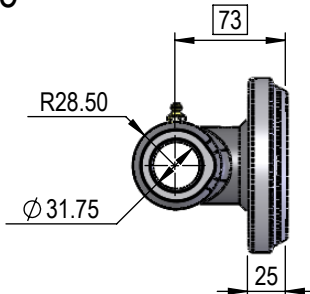
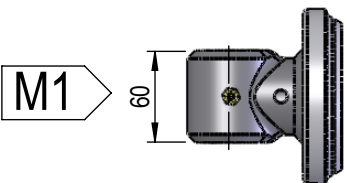
PBC400-15I120M
HS = 41514 kg



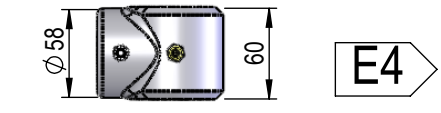
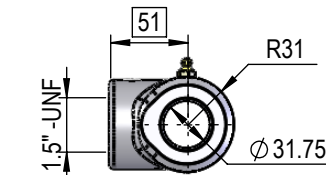
EC40M80M15I
HS = 17808 kg

MALE LUG

EC12I60M11I + EP4025
HS = 14706 kg



EC15I80M20I
HS = 34774 kg

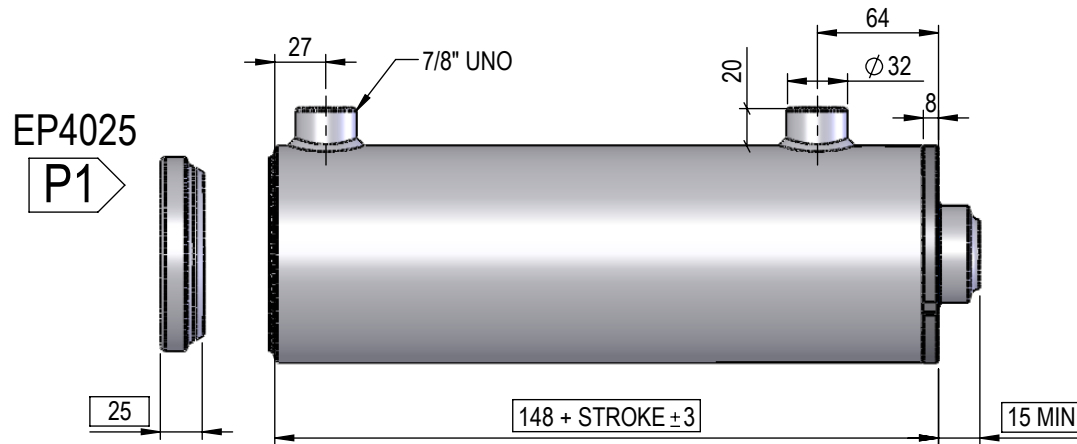


EC12I60M15I
HS = 15460 kg

THIS DRAWING AND THE INFORMATION IT CONTAINS IS THE PROPERTY OF NORDON HYDRAULICS PTY LTD AND MAY NOT BE USED FOR ANY PURPOSE WITHOUT WRITTEN AUTHORISATION FROM THE COMPANY. DRAWINGS SUBJECT TO CHANGE WITHOUT NOTICE. E&OE

HS = Housing Strength With F.O.S of 3:1

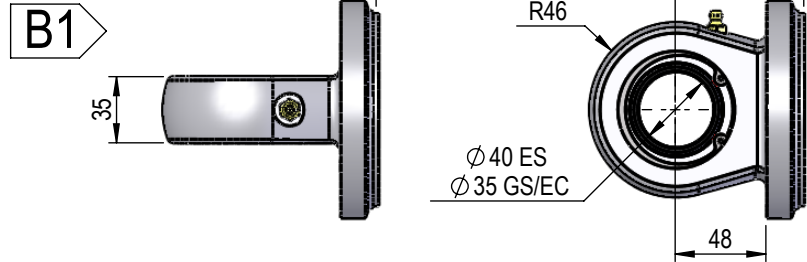
NI SERIES
4" BORE
2" OR 2.25" ROD
CYLINDER



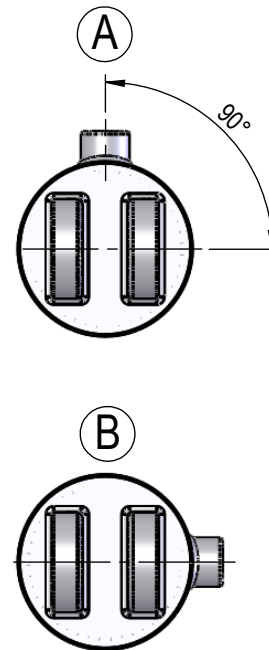
DIMENSIONS IN BOXES TO BE USED FOR BUILD LENGTH

SPHERICAL BEARING

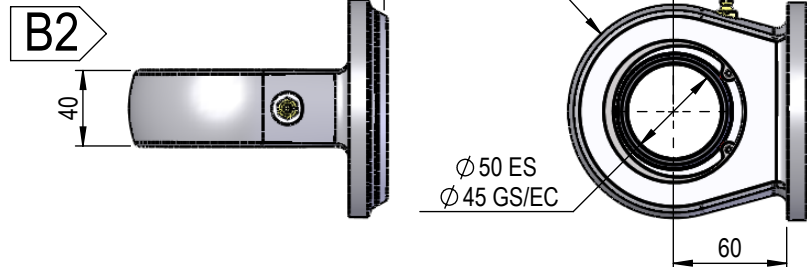
SB-400-40
 HS = 11352 kg



PORT POSITION

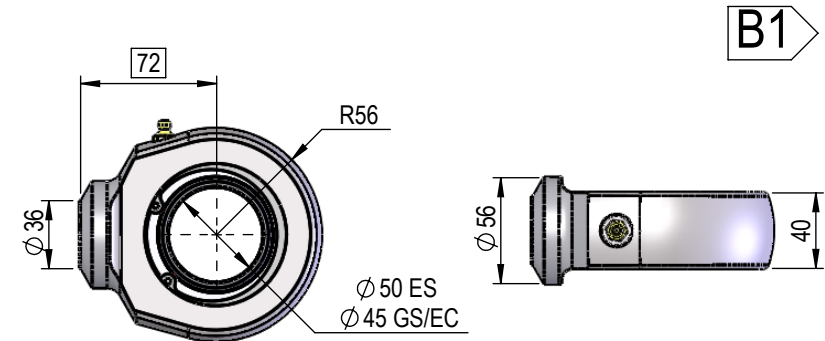


SB-400-50
 HS = 16217 kg



SPHERICAL BEARING

SBR50
 HS = 16222 kg
 (SUIT 2.25" ROD)

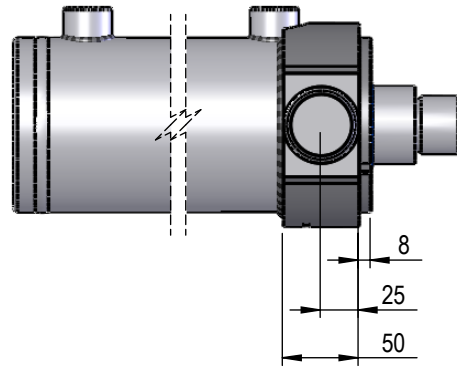
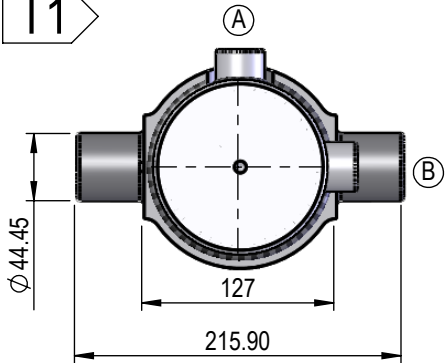


NI SERIES 4" BORE 2" OR 2.25" ROD CYLINDER

TRUNION MOUNT

TR40

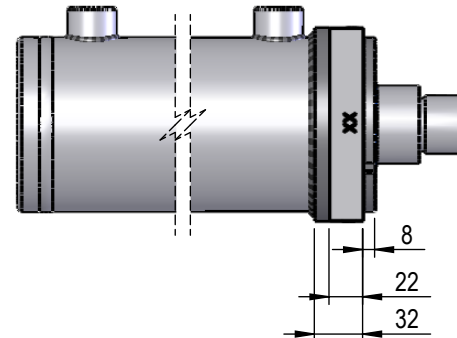
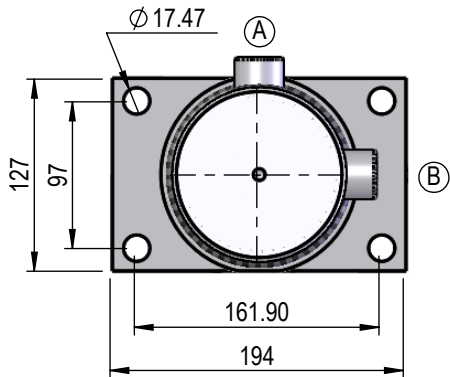
T1



FLANGE MOUNT

FL40

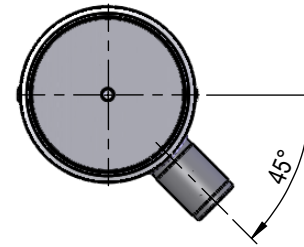
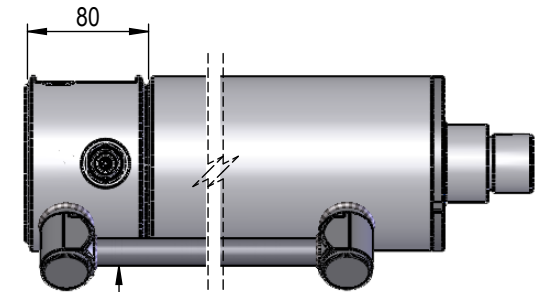
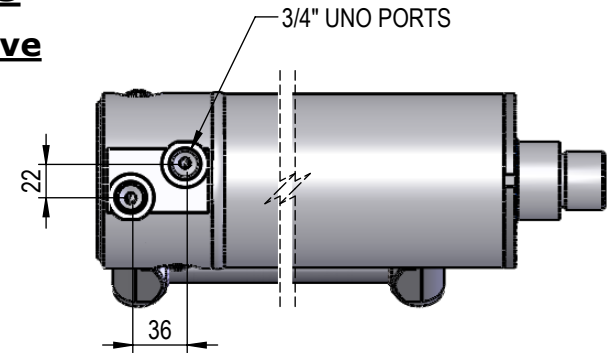
F1



INTERNAL VALVE OPTIONS

Double Counterbalance Valve

Valve cavity Sun T11A
60Lt Pilot operated check valves
Or
60Lt Counterbalance Valves



Single Counterbalance Valve

Valve cavity Sun T11A
60Lt Pilot operated check valve
Or
60Lt Counterbalance Valve
Base side holding

