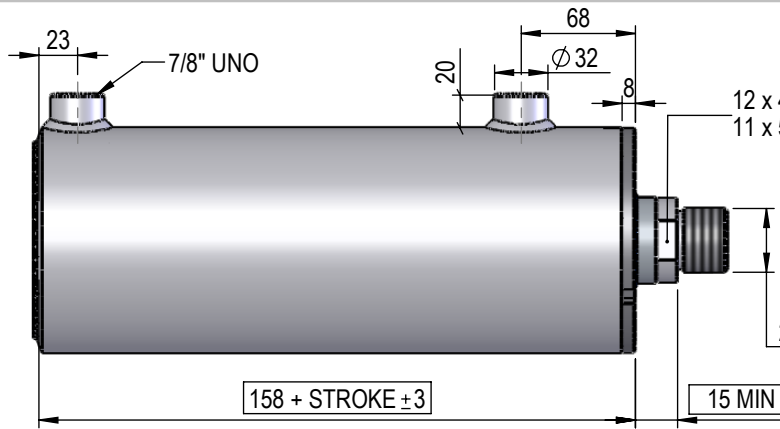


NI SERIES 4.5" BORE 2" OR 2.25" ROD CYLINDER

EP4525
P1



DIMENSIONS IN BOXES TO BE USED FOR BUILD LENGTH

1.5" UNF x 30mm For 2.0" ROD
2.0" UN x 40mm For 2.25" ROD

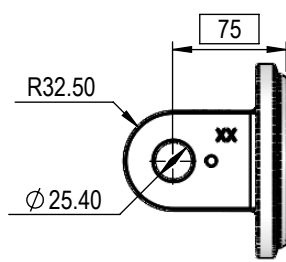
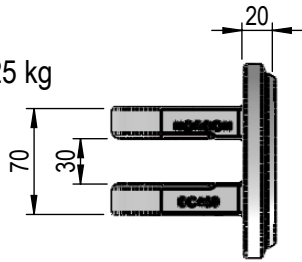
FEMALE CLEVIS

FEMALE CLEVIS

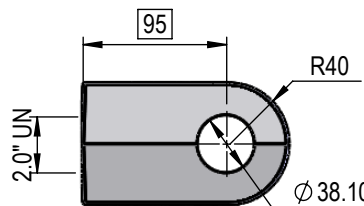
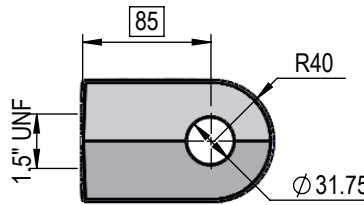
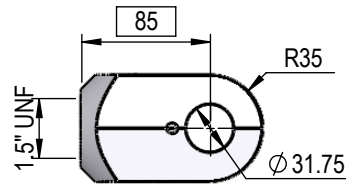
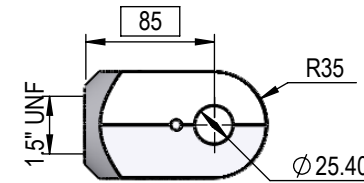
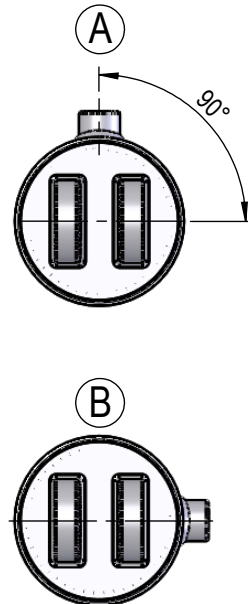
BC450

HS = 18625 kg

C1



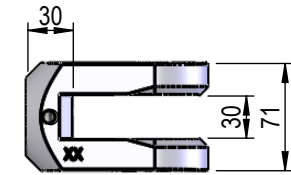
PORT POSITION



CL002

HS = 21216 kg

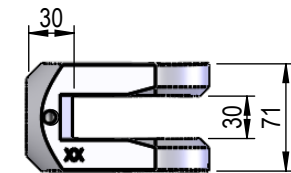
C1



CL002B

HS = 18029 kg

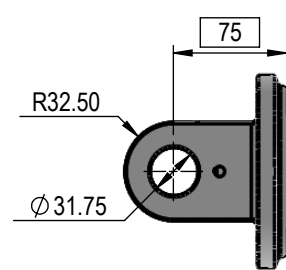
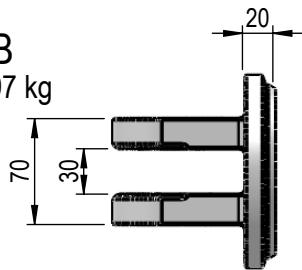
C2



BC450B

HS = 15597 kg

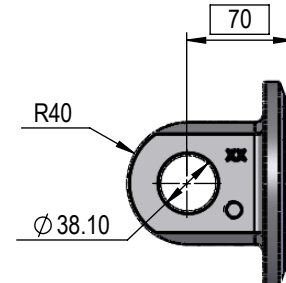
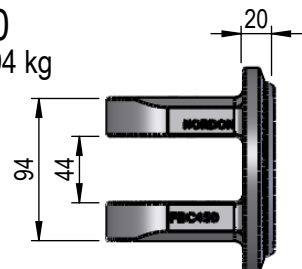
C2



FBC450

HS = 24594 kg

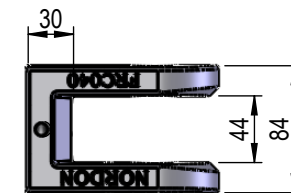
C3



FRC040

HS = 20741 kg

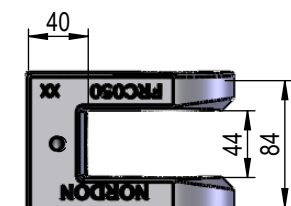
C3



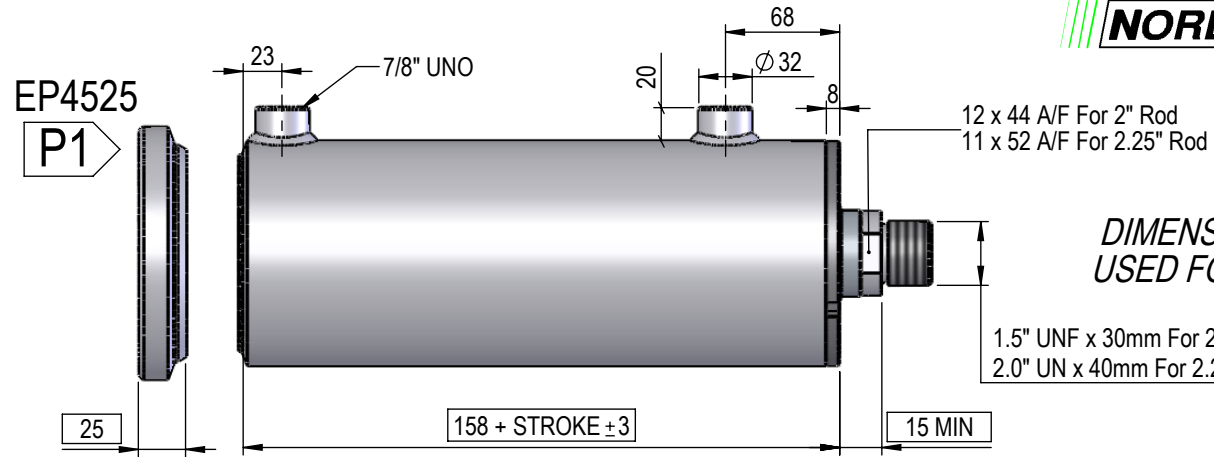
FRC050

HS = 20503 kg

C4



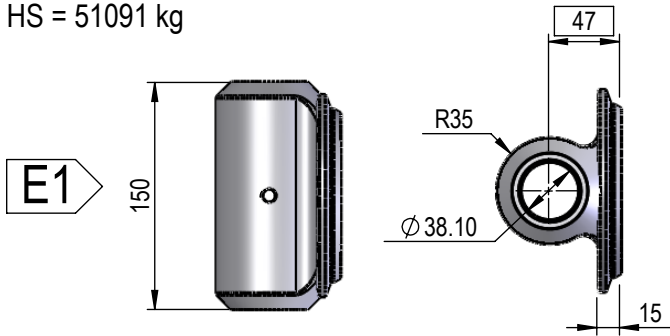
NI SERIES 4.5" BORE 2" OR 2.25" ROD CYLINDER



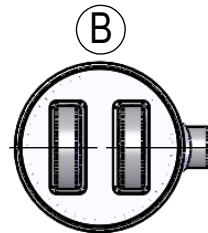
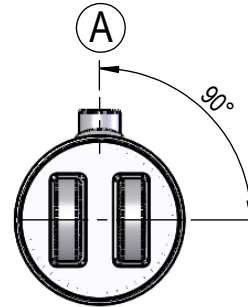
DIMENSIONS IN BOXES TO BE USED FOR BUILD LENGTH

PIN-EYE

PBC450-15I150M
HS = 51091 kg

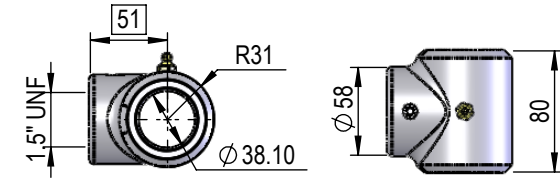


PORT POSITION

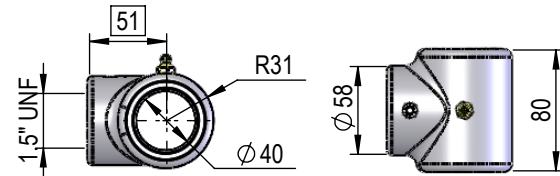


PIN-EYE

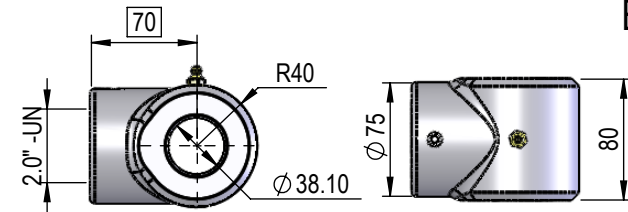
EC15I80M15I
HS = 19569 kg



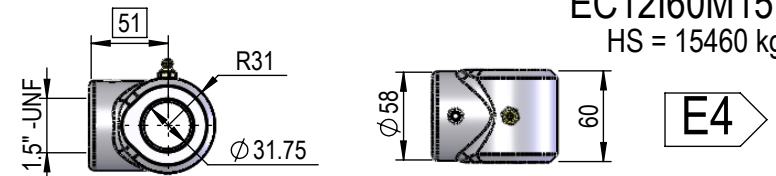
EC40M80M15I
HS = 17808 kg



EC15I80M20I
HS = 34774 kg



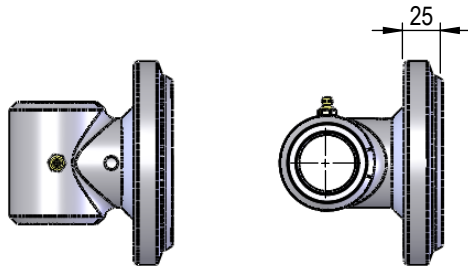
EC12I60M15I
HS = 15460 kg



MALE LUG

Rod Pin Eye (E1-E4) + EP4525

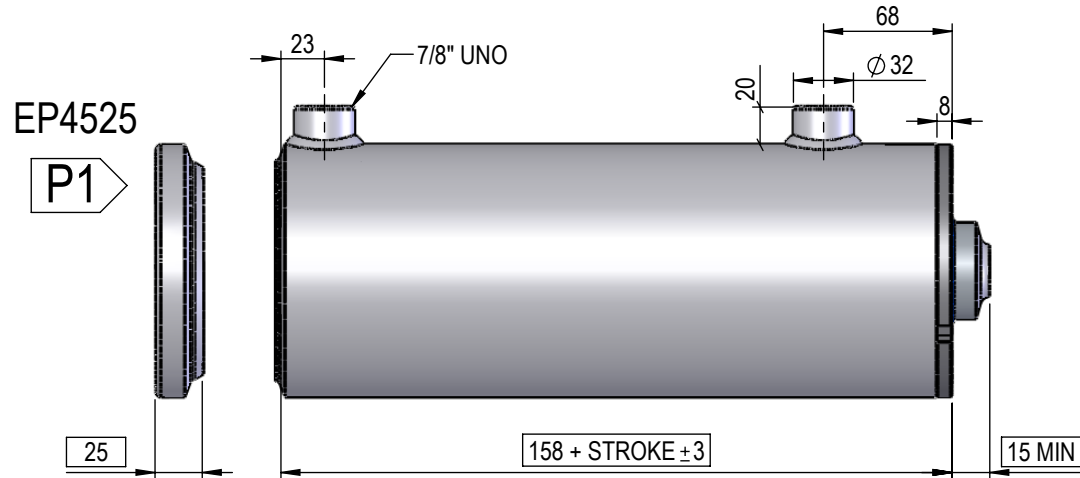
M1-M4



HS = Housing Strength With F.O.S of 3:1

NI SERIES
4.5" BORE
2" OR 2.25" ROD
CYLINDER

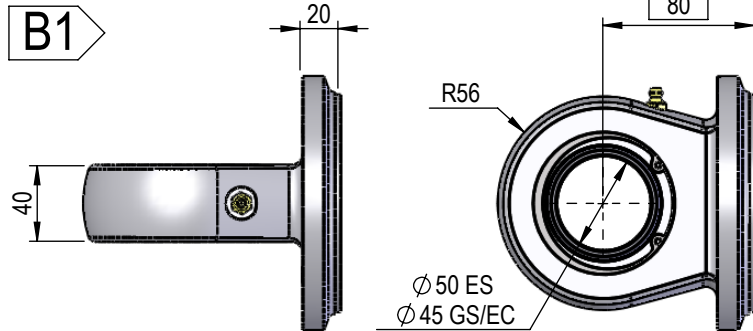
SPHERICAL BEARING



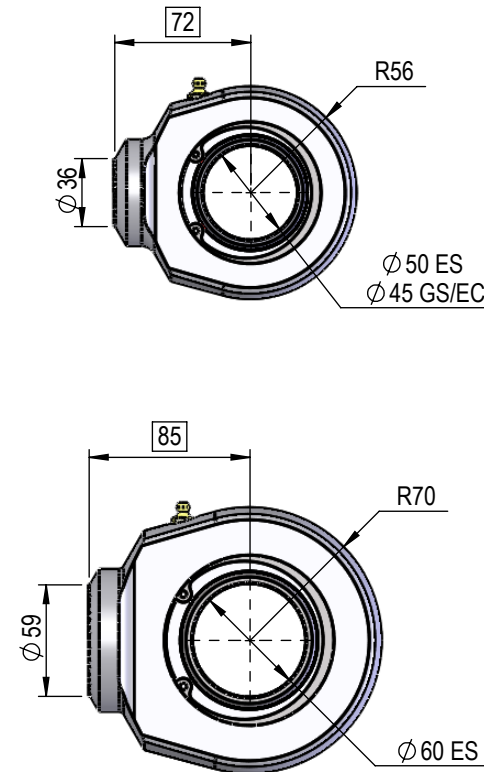
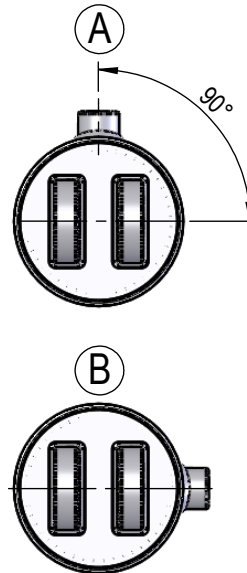
DIMENSIONS IN BOXES TO BE USED FOR BUILD LENGTH

SPHERICAL BEARING

SB-450-50
 HS = 16217 kg



PORT POSITION



SBR50
 HS = 16222 kg

B1

(SUIT 2.25" ROD)



SBR60
 HS = 26645 kg

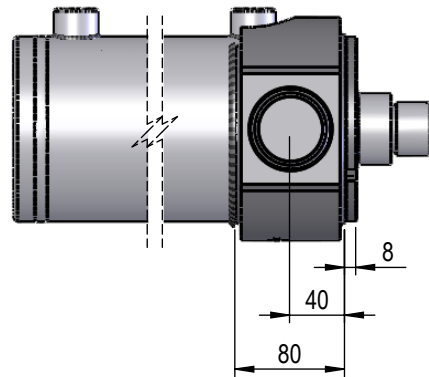
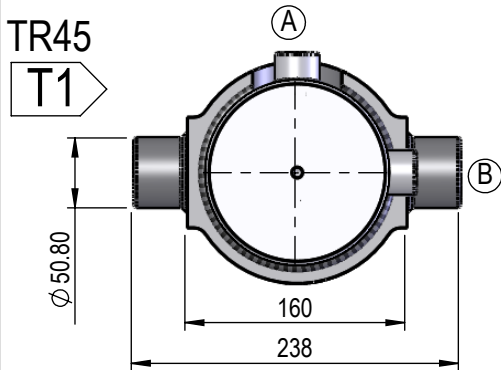
B2

(SUIT 2.5" ROD)

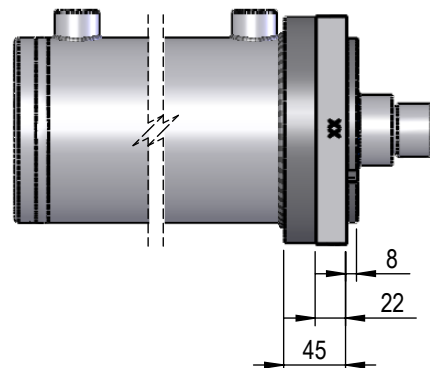
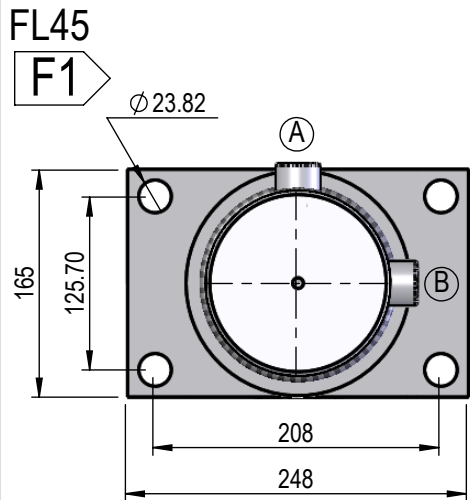


NI SERIES 4.5" BORE 2" OR 2.25" ROD CYLINDER

TRUNION MOUNT



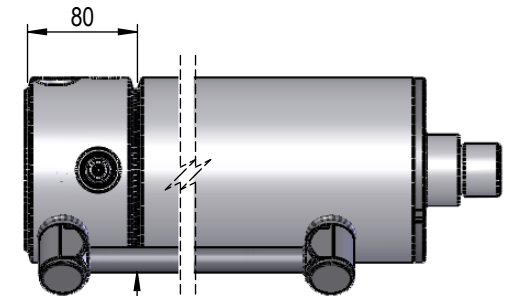
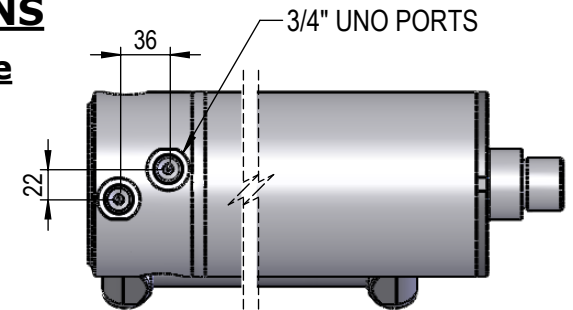
FLANGE MOUNT



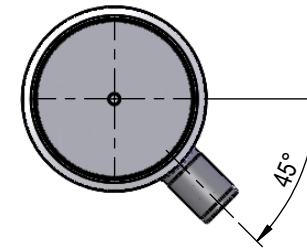
INTERNAL VALVE OPTIONS

Double Counterbalance Valve

Valve cavity Sun T11A
60Lt Pilot operated check valves
Or
60Lt Counterbalance Valves



Transfer Tube can be welded or use fittings



Single Counterbalance Valve

Valve cavity Sun T11A
60Lt Pilot operated check valve
Or
60Lt Counterbalance Valve
Base side holding

