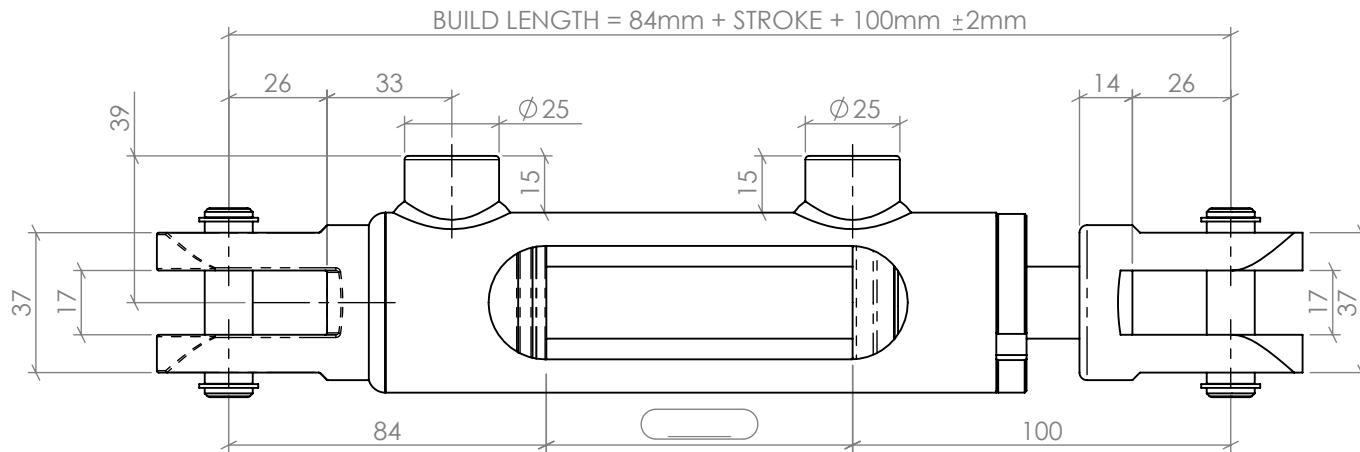
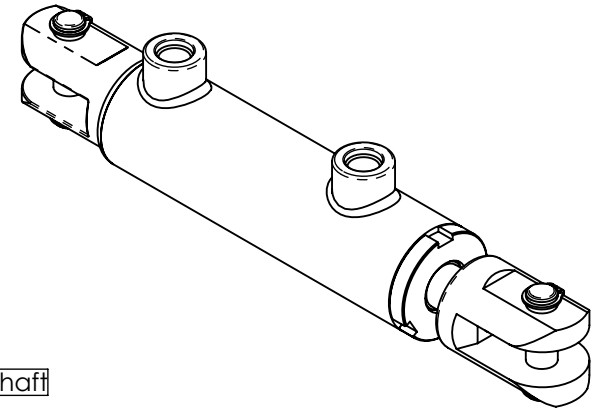
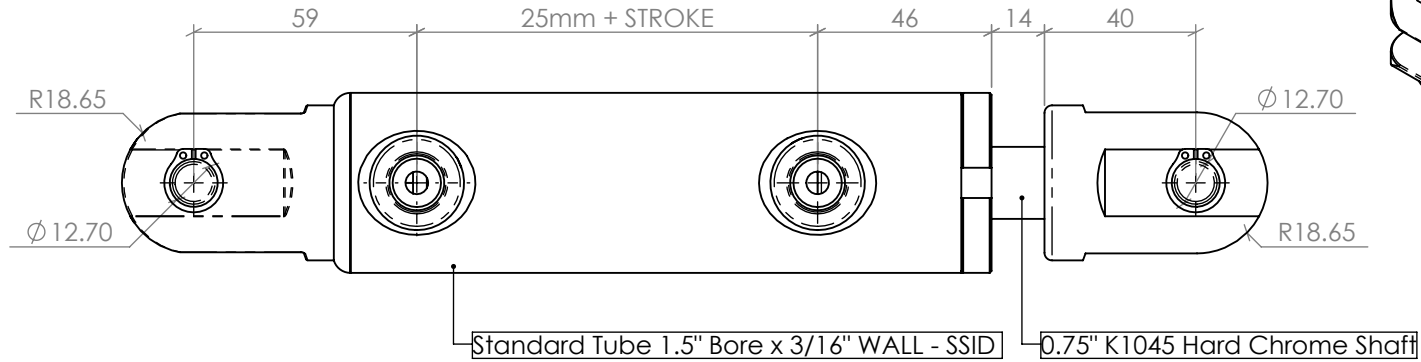


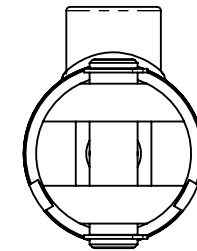
NA SERIES

1.5" BORE, 0.75" ROD CYLINDER

B PORT POSITION



'B' POSITION PORTS



NOTE: ALL THREADS MACHINED TO 2A/B SPECIFICATION.
ALL PIN HOLES MACHINED TO D9 TOLERANCE.