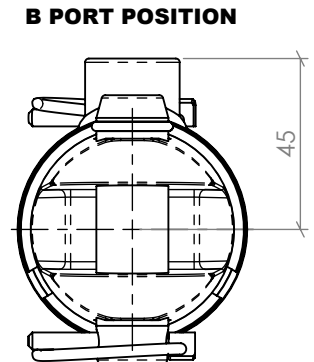
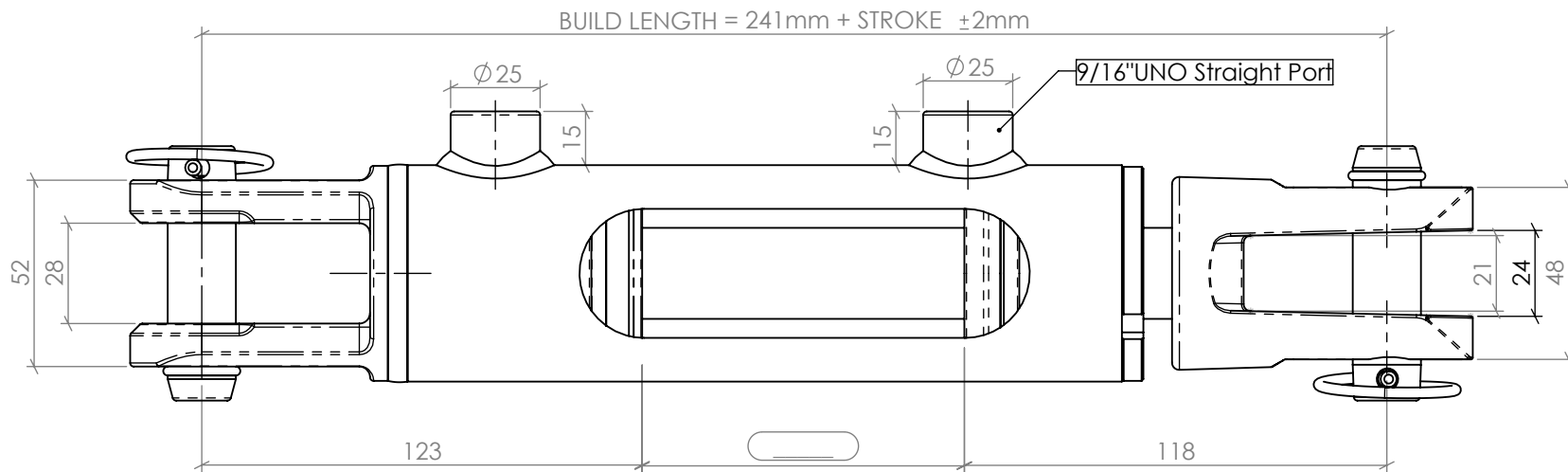
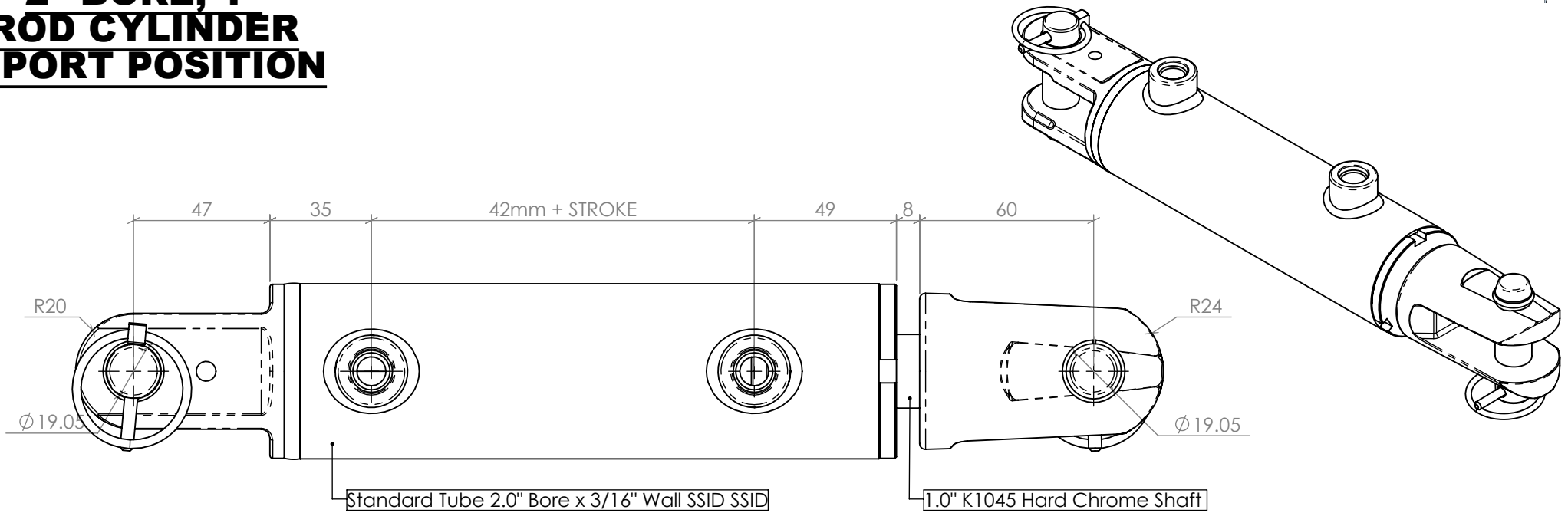


NA SERIES

2" BORE, 1" ROD CYLINDER

B PORT POSITION



NOTE: ALL THREADS MACHINED TO 2A/B SPECIFICATION.
ALL PIN HOLES MACHINED TO D9 TOLERANCE.