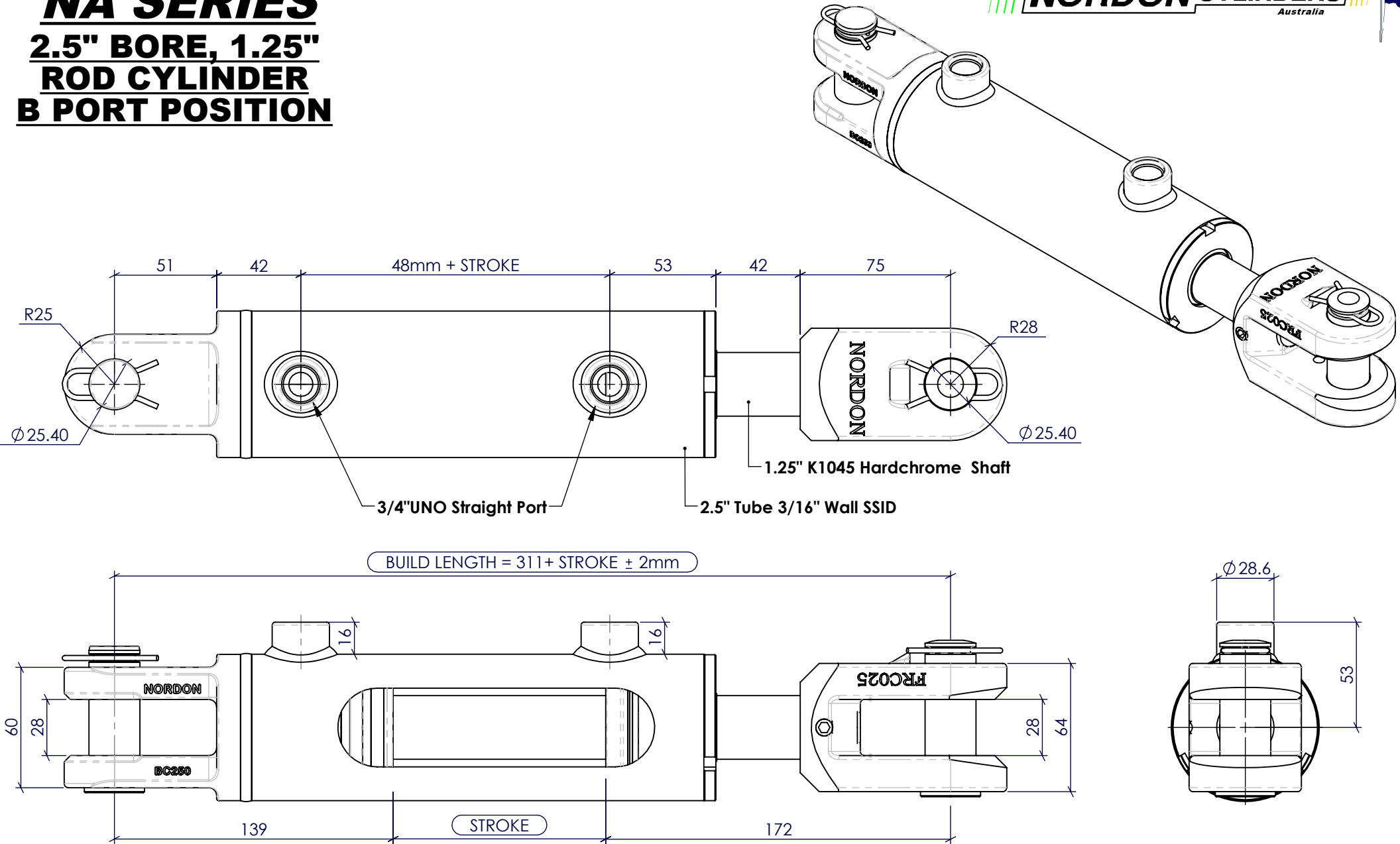


# **NA SERIES** **2.5" BORE, 1.25"** **ROD CYLINDER** **B PORT POSITION**



**NOTE:** ALL THREADS MACHINED TO 2A/B SPECIFICATION.  
 ALL PIN HOLES MACHINED TO D9 TOLERANCE.