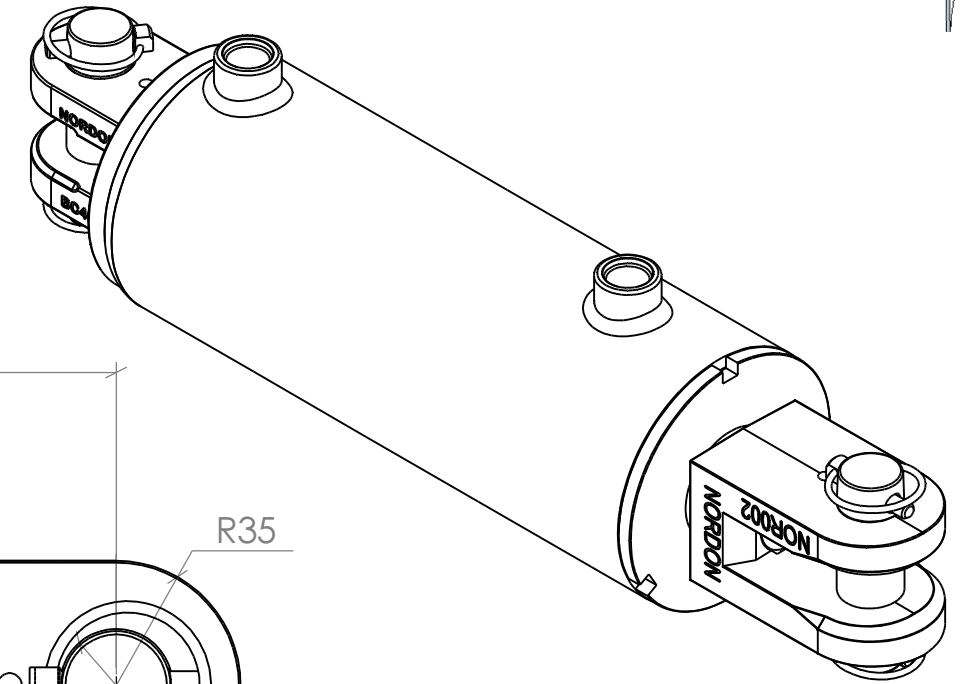
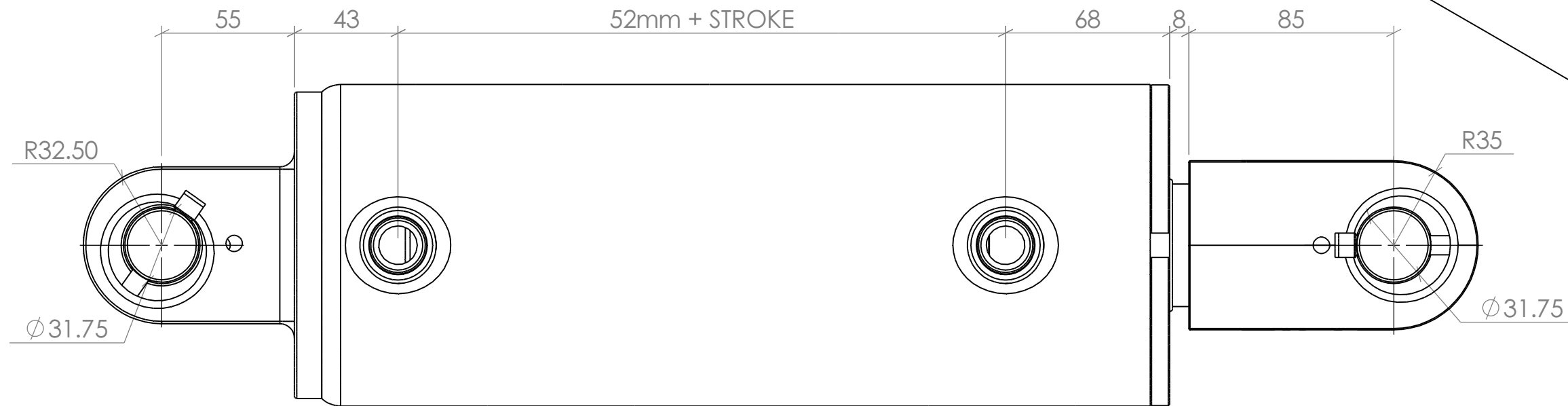
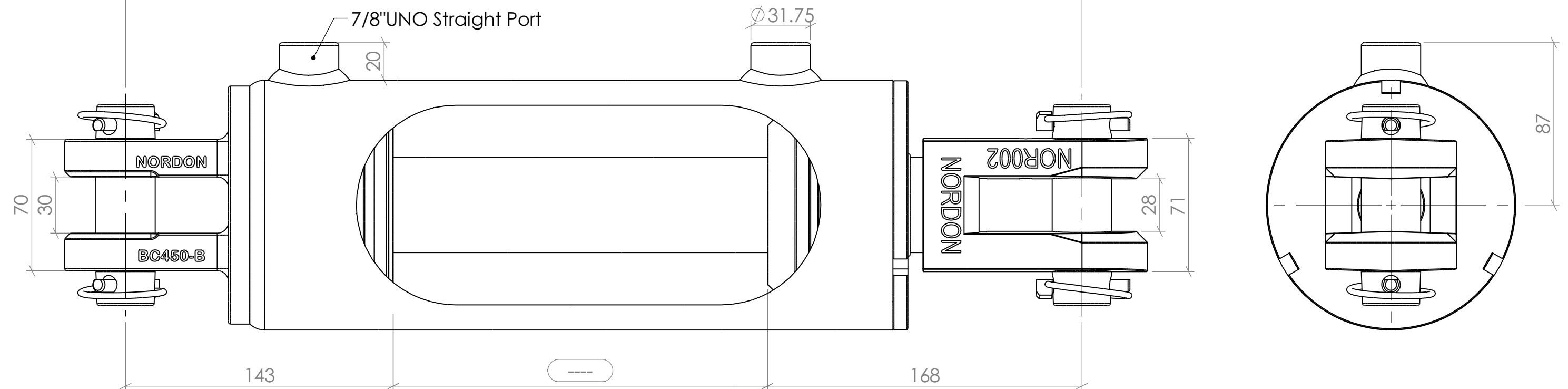


# **NA SERIES** **4.5" BORE, 2"** **ROD CYLINDER** **B PORT POSITION**



BUILD LENGTH = 143mm + STROKE + 168mm



**NOTE:** ALL THREADS MACHINED TO 2A/B SPECIFICATION.  
 ALL PIN HOLES MACHINED TO D9 TOLERANCE.