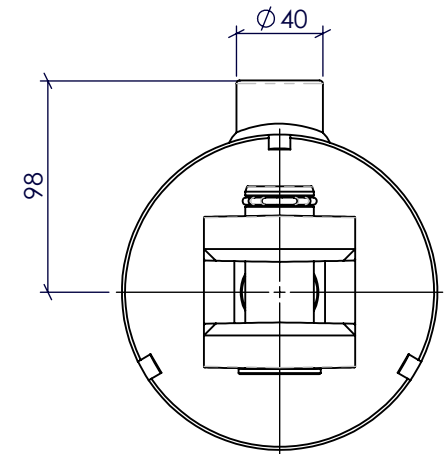
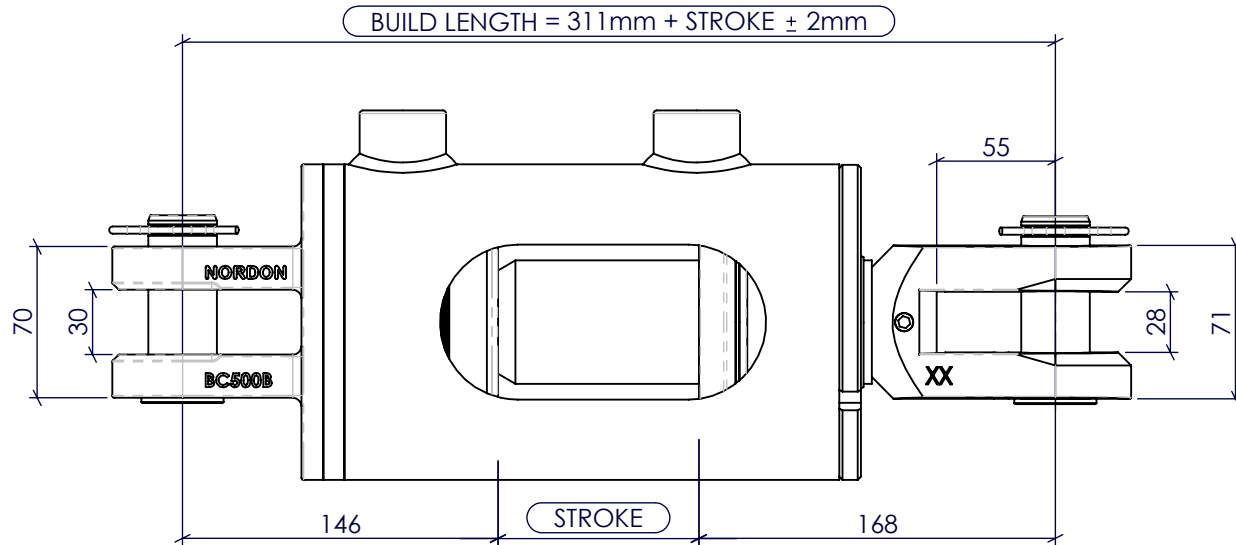
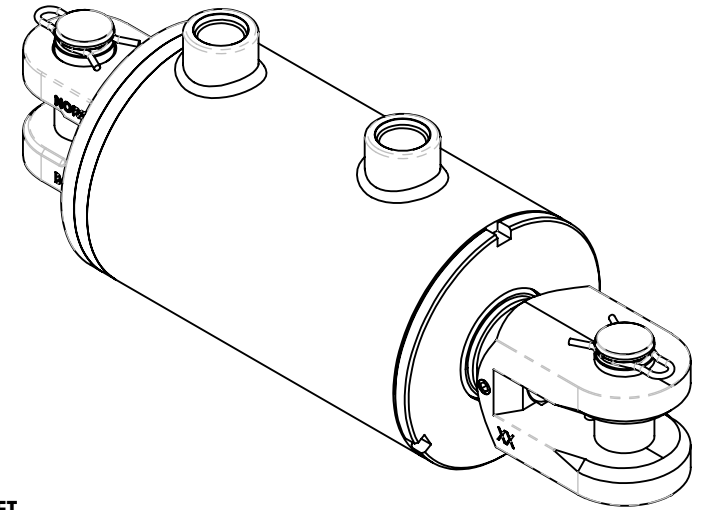
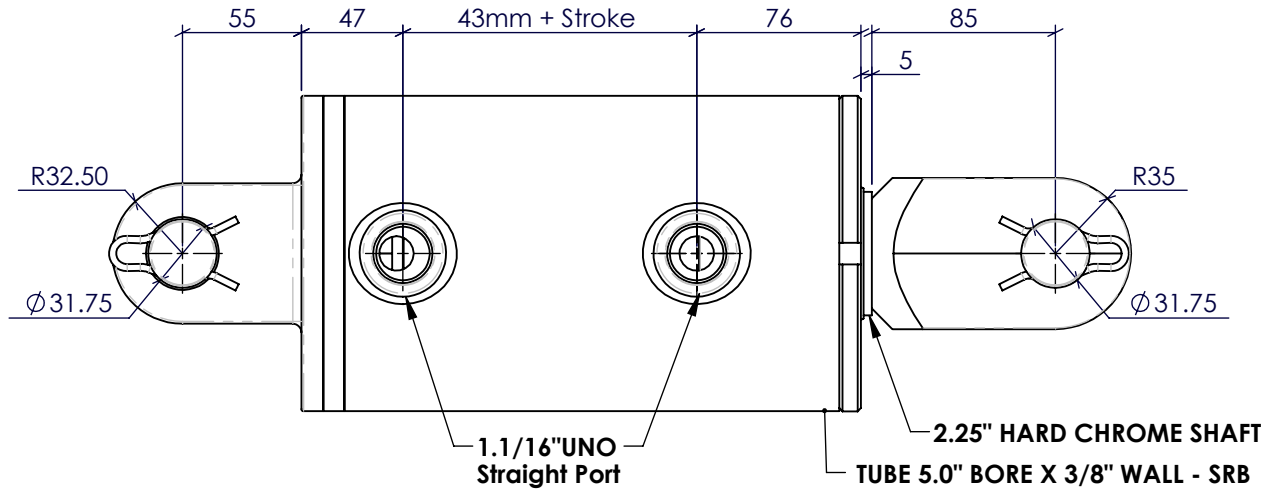


NA SERIES **5" BORE, 2.25"** **ROD CYLINDER** **B PORT POSITION**



NOTE: ALL THREADS MACHINED TO 2A/B SPECIFICATION.
 ALL PIN HOLES MACHINED TO D9 TOLERANCE.