

NI SERIES

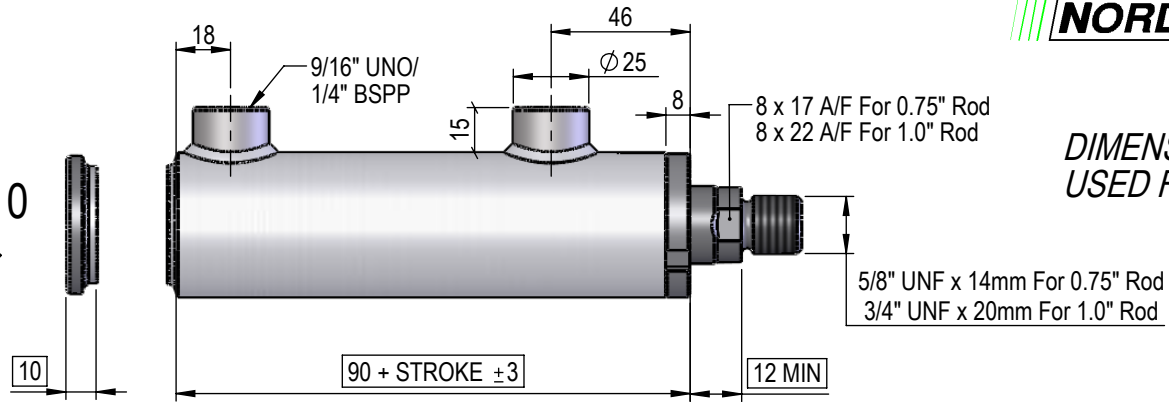
1.5" BORE

0.75" OR 1.0" ROD

CYLINDER

DIMENSIONS IN BOXES TO BE USED FOR BUILD LENGTH

EP1510
P1

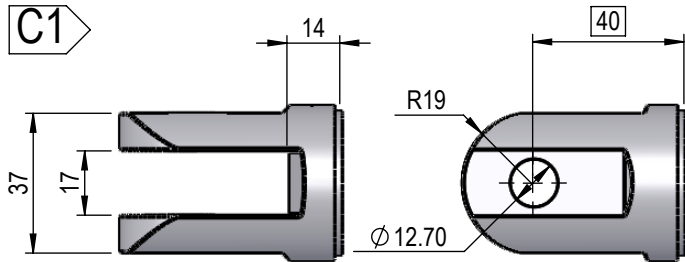


FEMALE CLEVIS

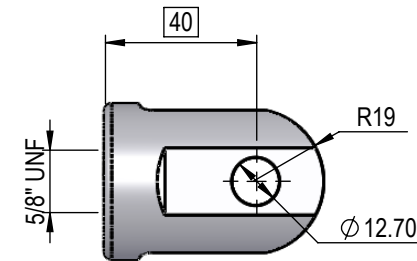
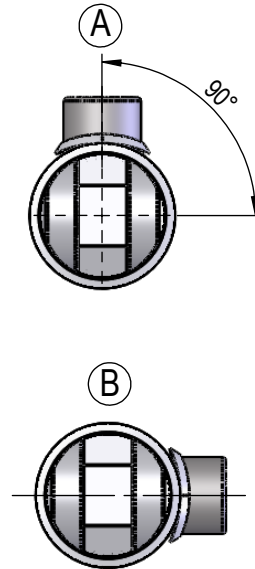
FEMALE CLEVIS

BC150

C1



PORT POSITION

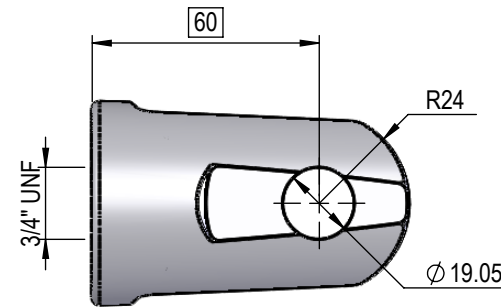


CL00

C1

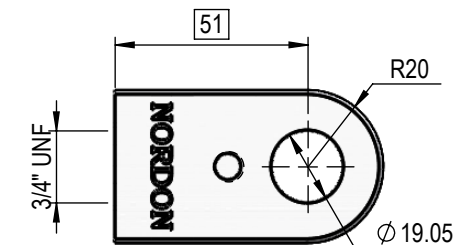
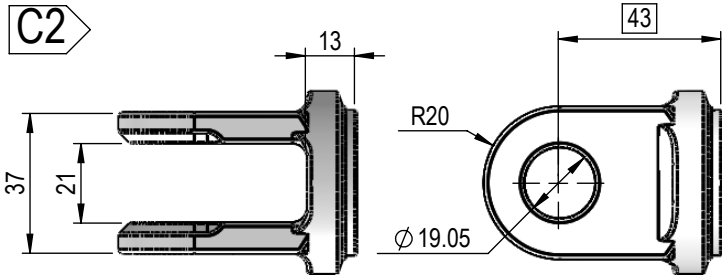
CLR000

C3



BC150-K

C2



FRC020

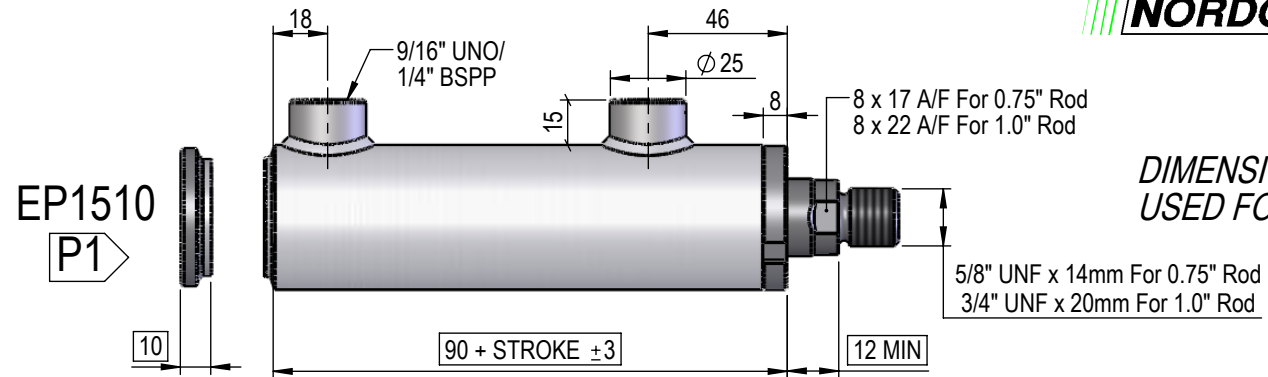
C4

NI SERIES

1.5" BORE

0.75" OR 1.0" ROD

CYLINDER

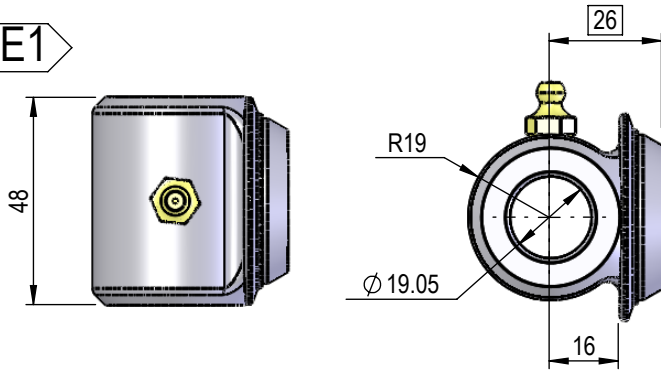


DIMENSIONS IN BOXES TO BE USED FOR BUILD LENGTH

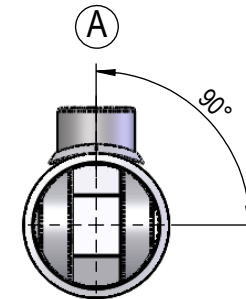
PIN-EYE

PBC150-07I48M

E1

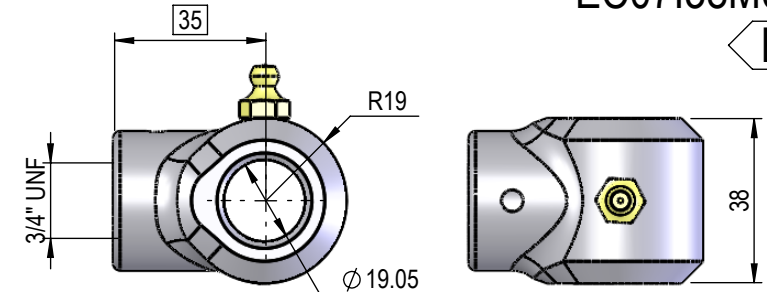


PORT POSITION



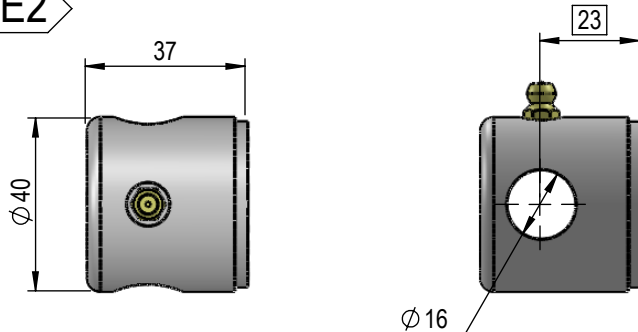
EC07I38M07I

E1



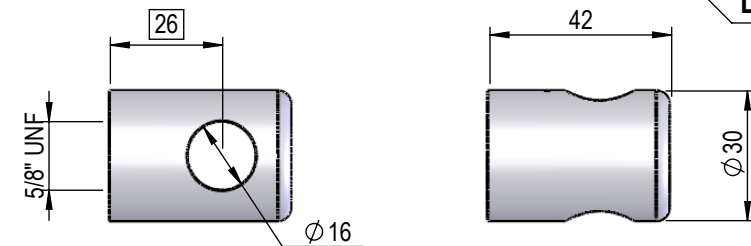
EP15-E16M23M40M

E2



E16M30M06I

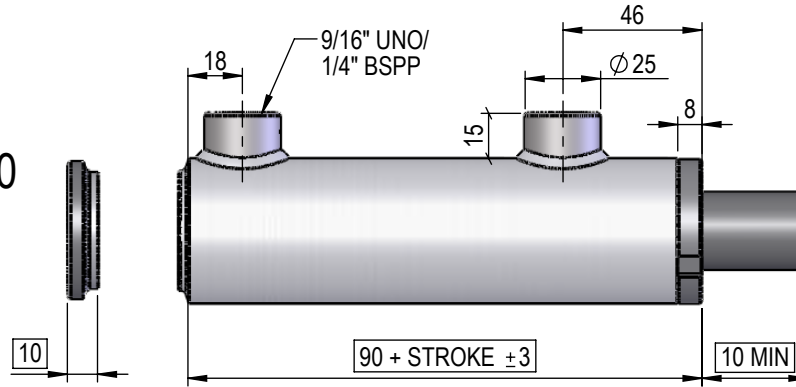
E2



NI SERIES
1.5" BORE
0.75" OR 1.0" ROD
CYLINDER

EP1510

P1



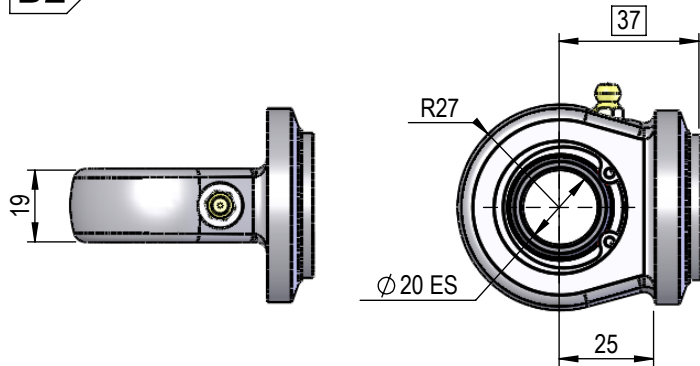
DIMENSIONS IN BOXES TO BE USED FOR BUILD LENGTH

SPHERICAL BEARING

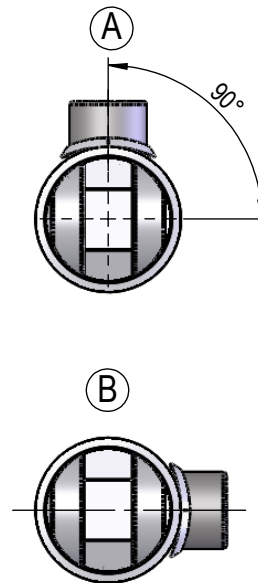
SPHERICAL BEARING

SB150-20

B2



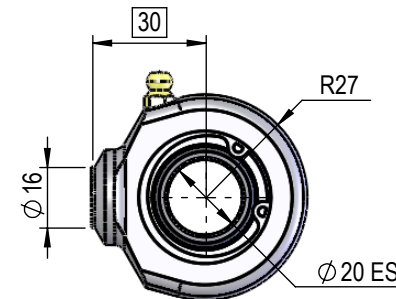
PORT POSITION



SBR20

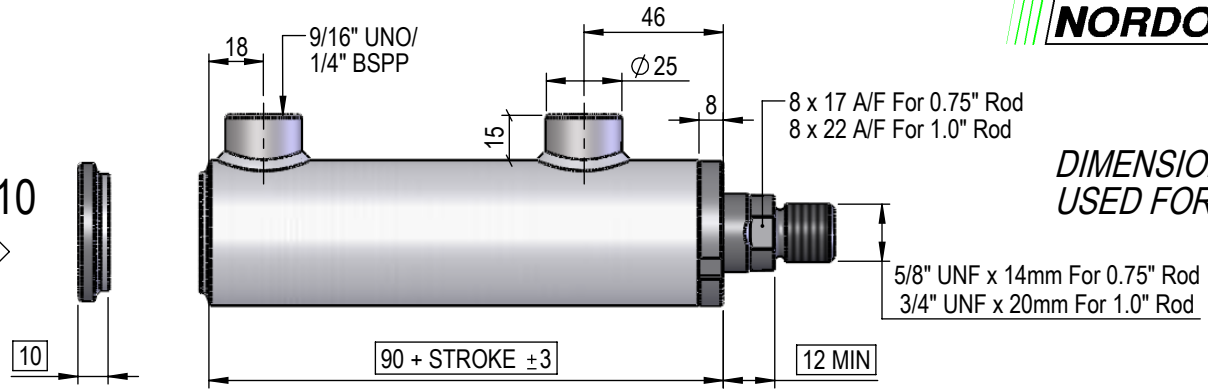
B1

(SUIT 1.0" Rod)



NI SERIES 1.5" BORE 0.75" OR 1.0" ROD CYLINDER

EP1510
P1

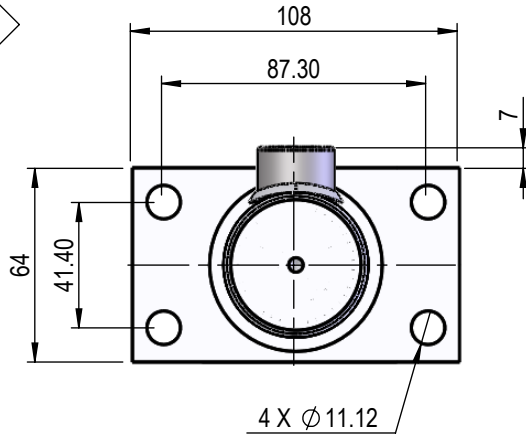


DIMENSIONS IN BOXES TO BE USED FOR BUILD LENGTH

FLANGE

NFPA15

F1



PORT POSITION

