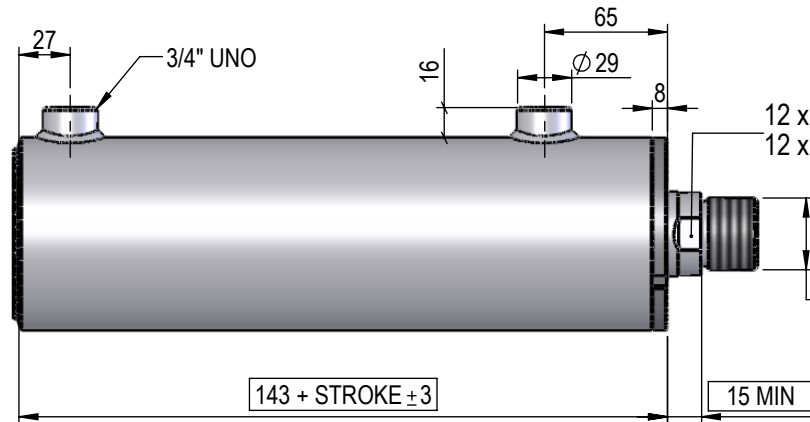


NI SERIES 3.5" BORE 1.75" OR 2" ROD CYLINDER

EP35
P1

20



12 x 40 A/F For 1.75" Rod
12 x 44 A/F For 2.0" Rod

DIMENSIONS IN BOXES TO BE USED FOR BUILD LENGTH

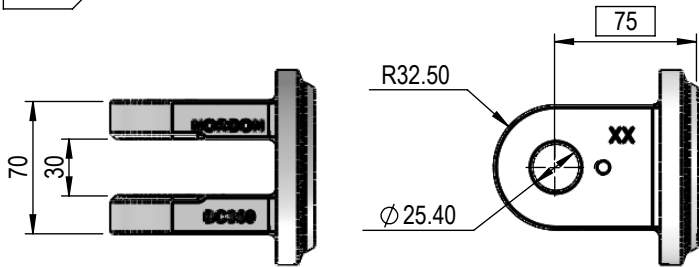
1.5" - UNF x 30mm

FEMALE CLEVIS

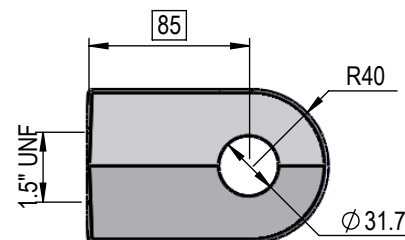
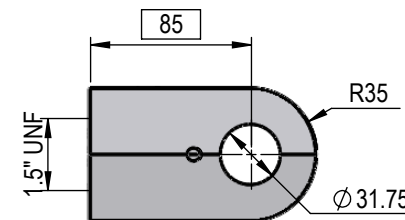
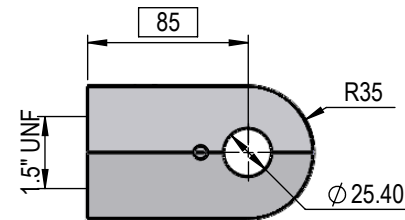
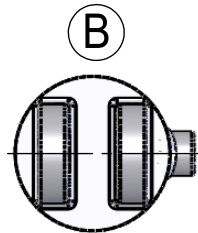
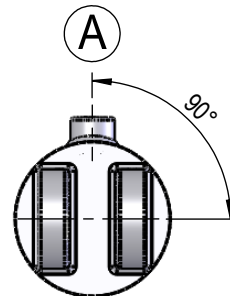
FEMALE CLEVIS

BC350

C1



PORT POSITION



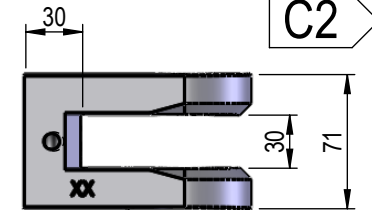
CL002

C1



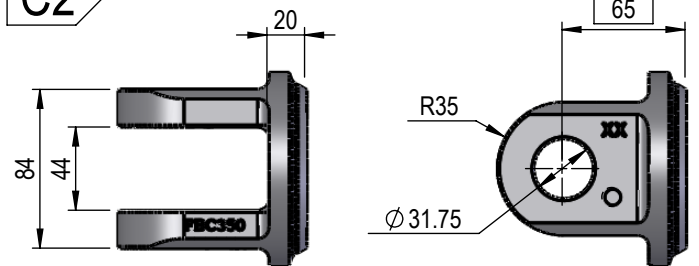
CL002B

C2



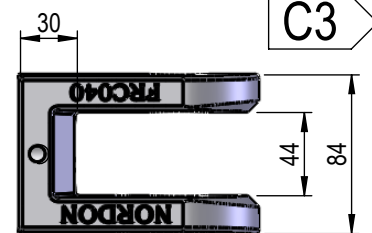
FBC350

C2



FRC040

C3

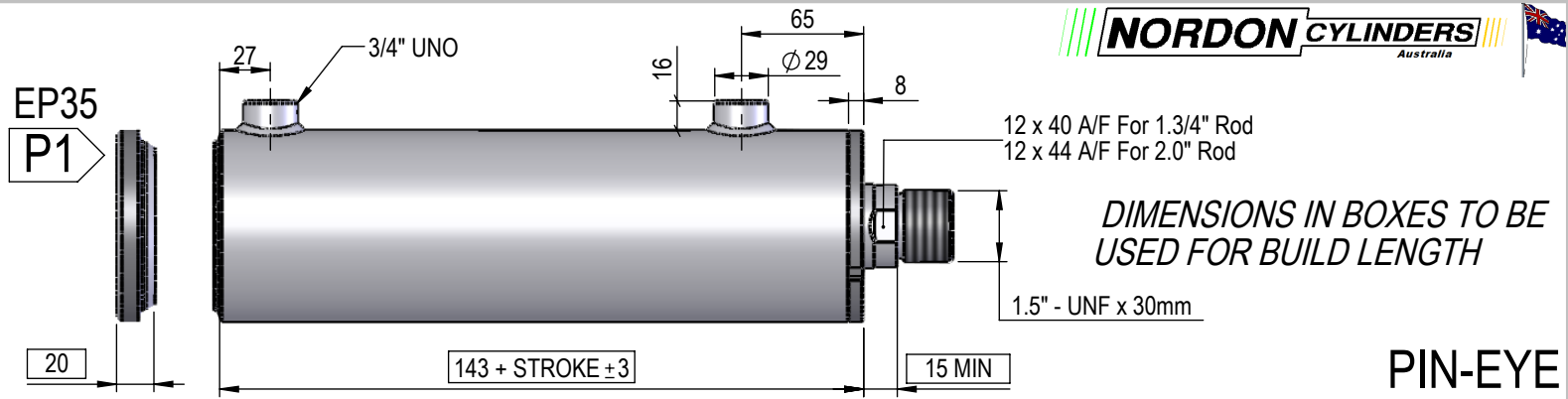


NI SERIES

3.5" BORE

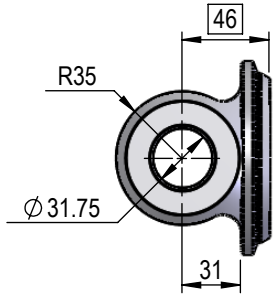
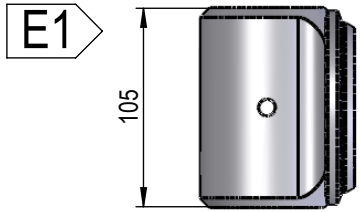
1.75" OR 2" ROD

CYLINDER

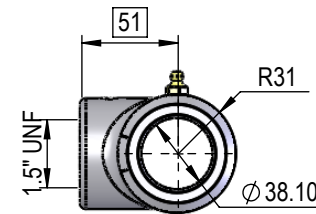
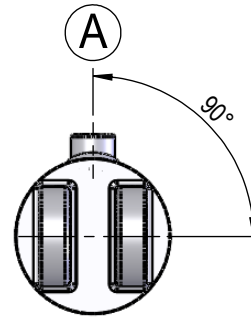


PIN-EYE

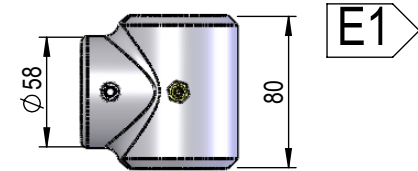
PBC350-12I105M



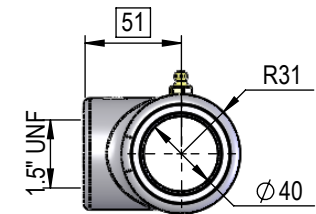
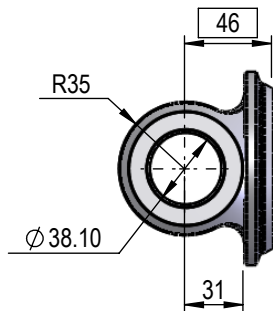
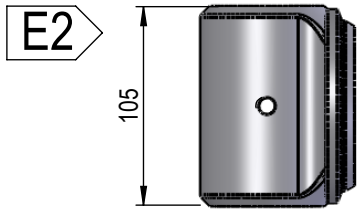
PORT POSITION



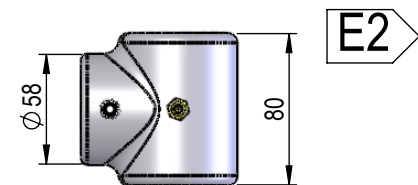
EC15I80M15I



PBC350-15I105M

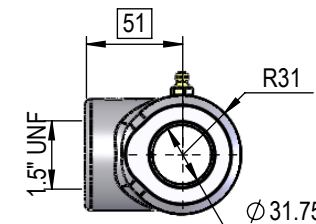
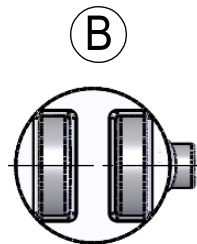
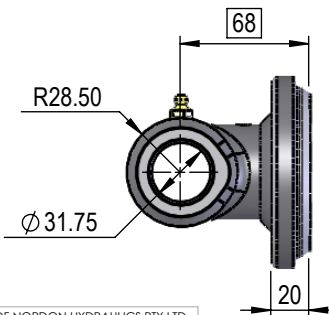
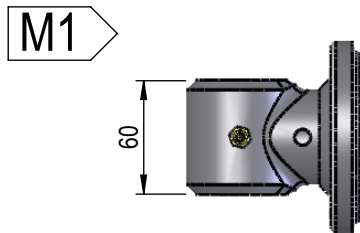


EC40M80M15I

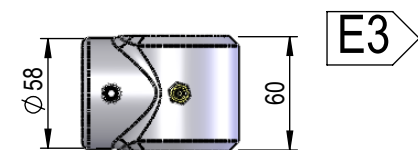


MALE LUG

EC12I60M11I + EP35



EC12I60M15I

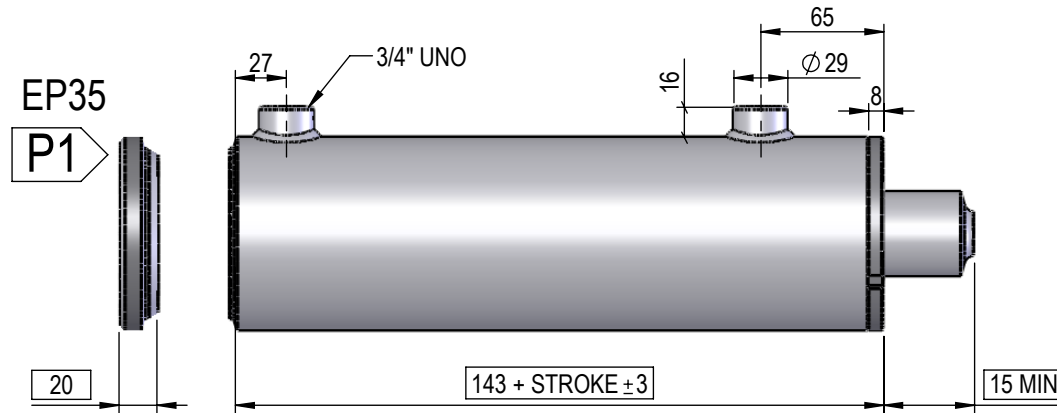


NI SERIES

3.5" BORE

1.75" OR 2" ROD

CYLINDER

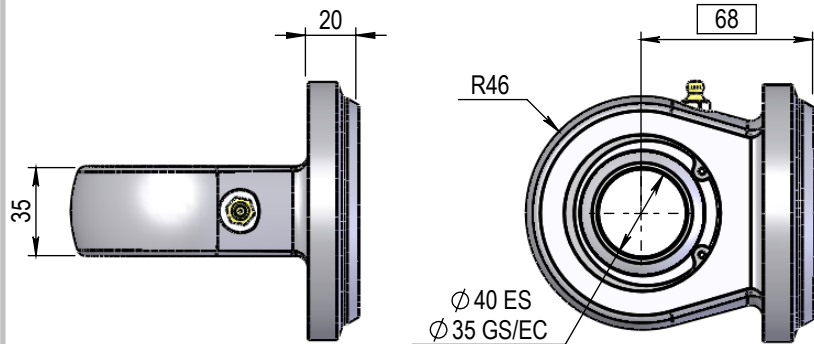


DIMENSIONS IN BOXES TO BE USED FOR BUILD LENGTH

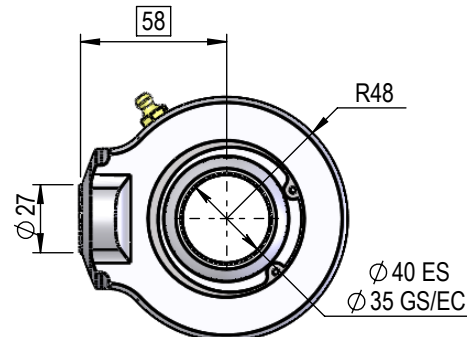
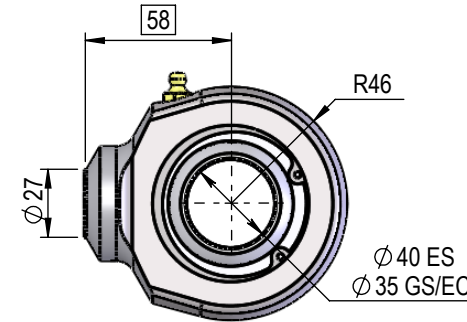
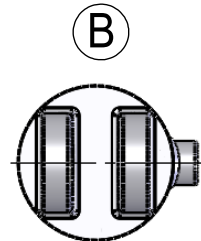
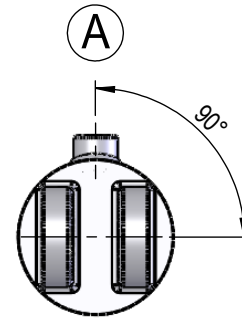
SPHERICAL BEARING

SB-350-40

B1



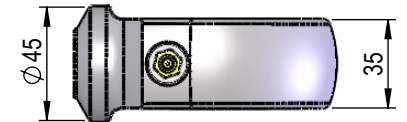
PORT POSITION



SPHERICAL BEARING

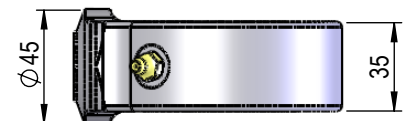
SBR40

B1



SBR40HD

B2



NI SERIES

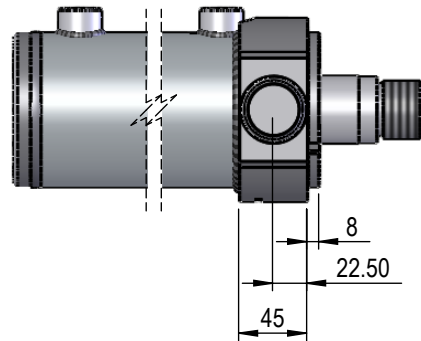
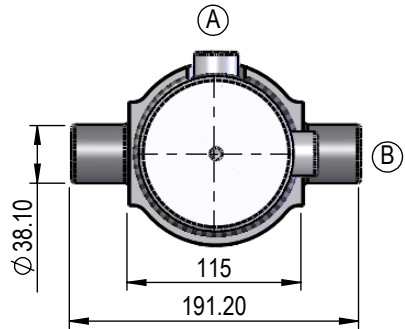
3.5" BORE

1.75" OR 2" ROD

CYLINDER

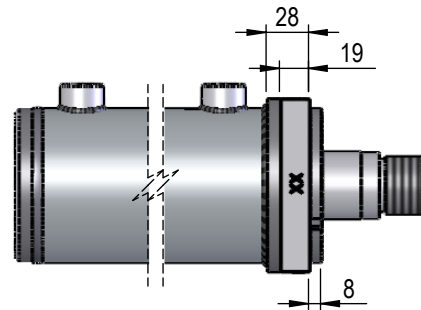
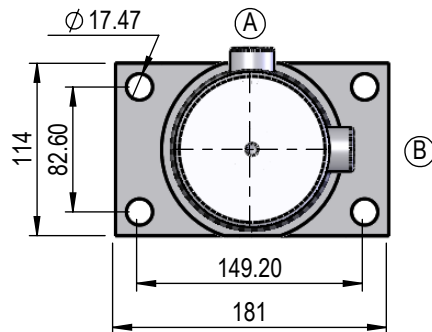
TRUNION MOUNT

TR35
T1



FLANGE MOUNT

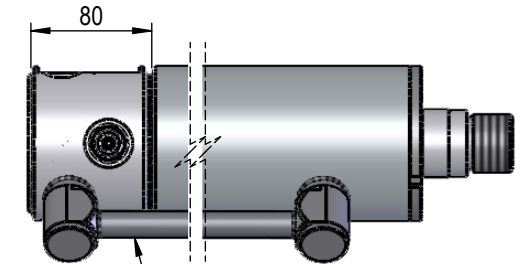
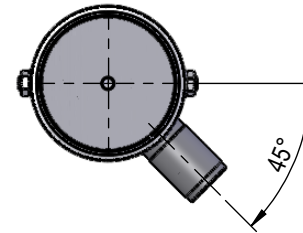
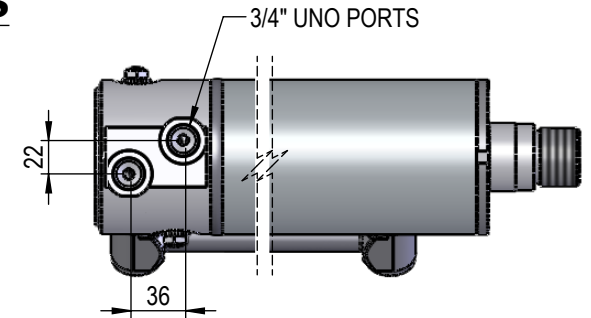
FL35
F1



INTERNAL VALVE OPTIONS

Double Counterbalance Valve

Valve cavity Sun T11A
60Lt Pilot operated check valves
Or
60Lt Counterbalance Valves



Single Counterbalance Valve

Valve cavity Sun T11A
60Lt Pilot operated check valve
Or
60Lt Counterbalance Valve
Base side holding

