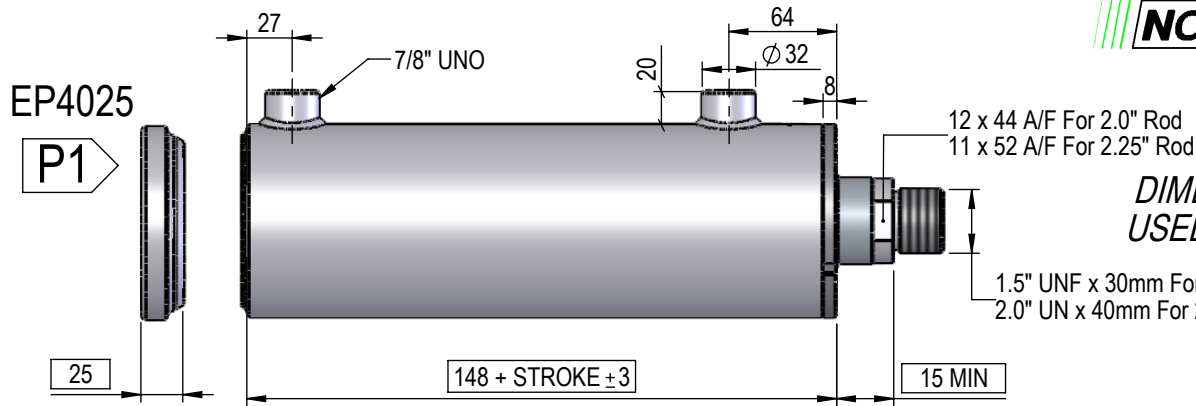


NI SERIES 4" BORE 2" OR 2.25" ROD CYLINDER

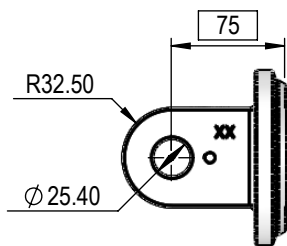
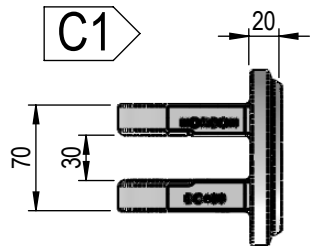


DIMENSIONS IN BOXES TO BE USED FOR BUILD LENGTH

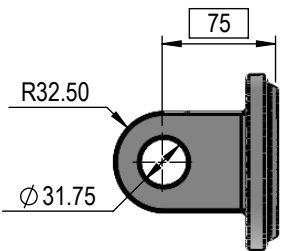
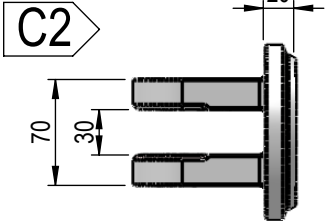
FEMALE CLEVIS

FEMALE CLEVIS

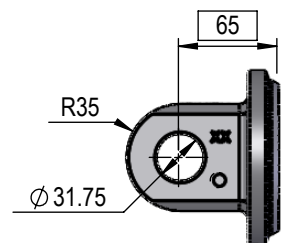
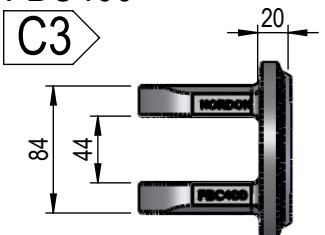
BC400



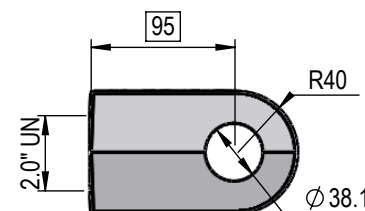
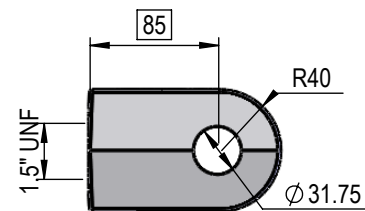
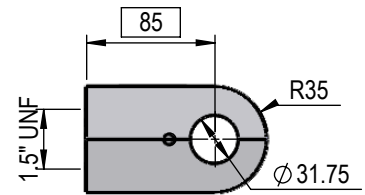
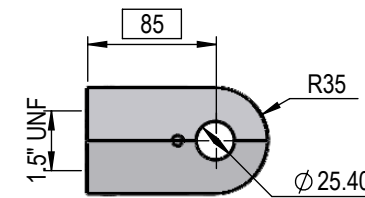
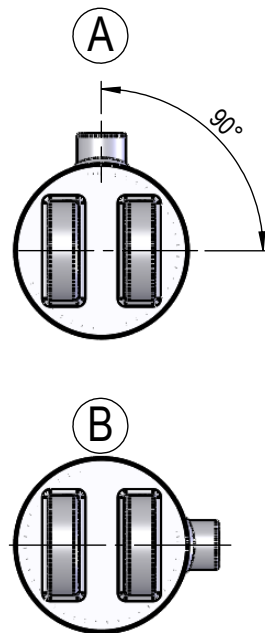
BC400B



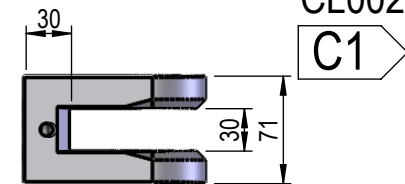
FBC400



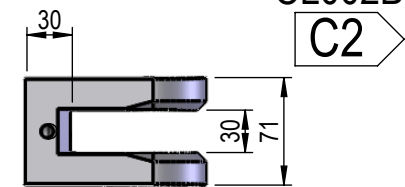
PORT POSITION



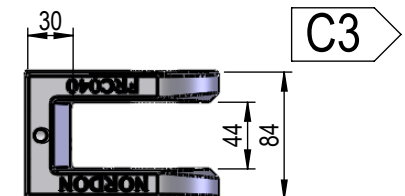
CL002



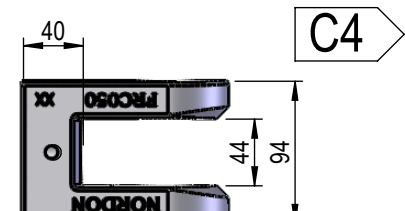
CL002B



FRC040



FRC050

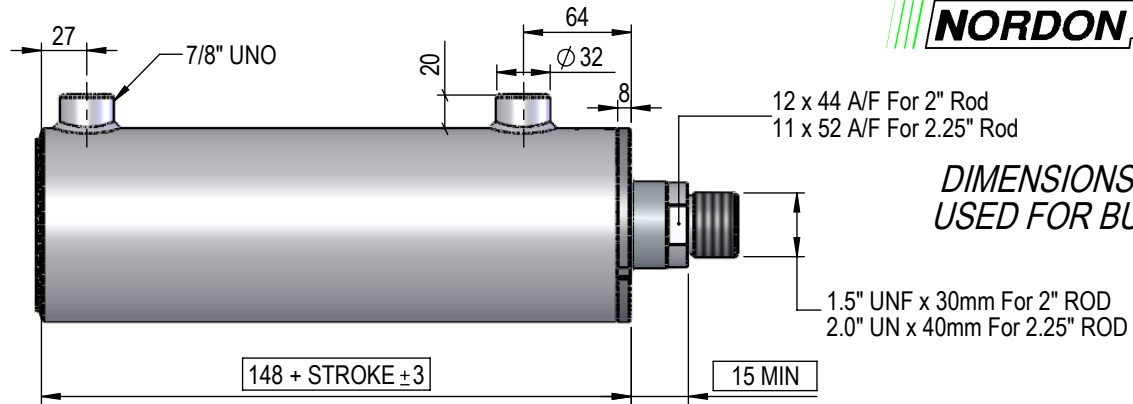
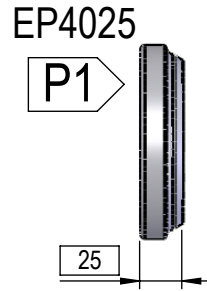


NI SERIES

4" BORE

2" OR 2.25" ROD

CYLINDER

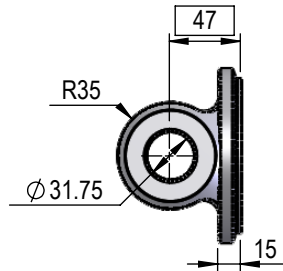
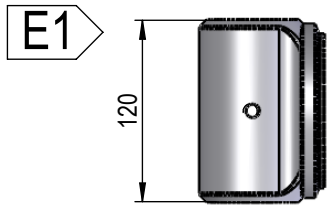


DIMENSIONS IN BOXES TO BE USED FOR BUILD LENGTH

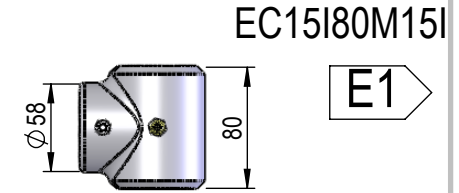
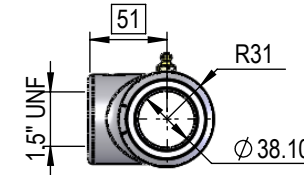
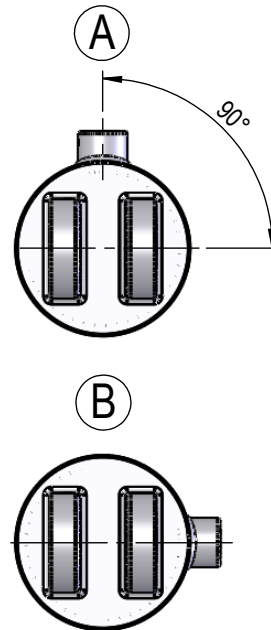
PIN-EYE

PIN-EYE

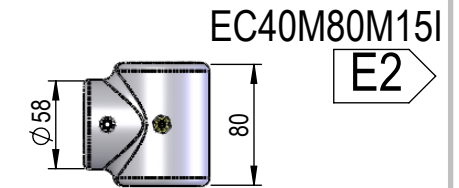
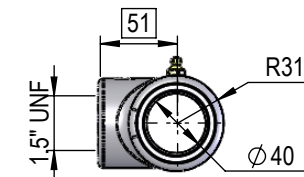
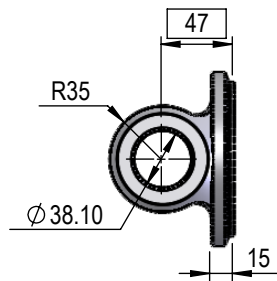
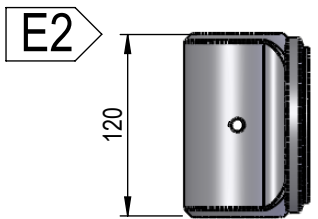
PBC400-12I120M



PORT POSITION

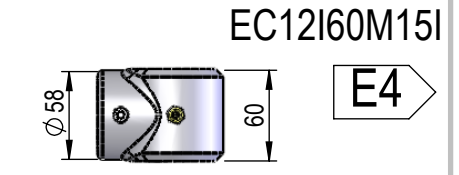
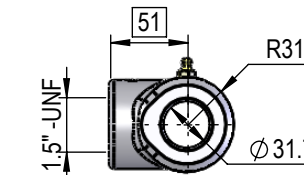
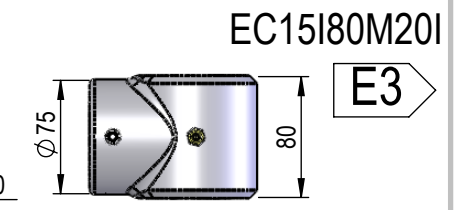
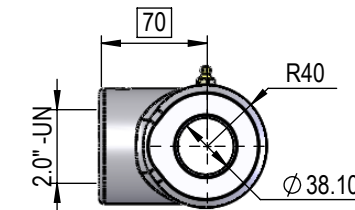
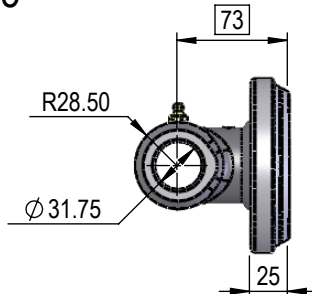
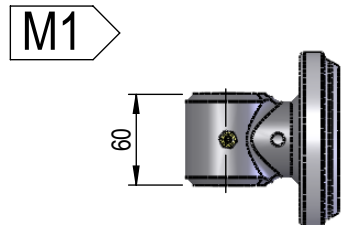


PBC400-15I120M

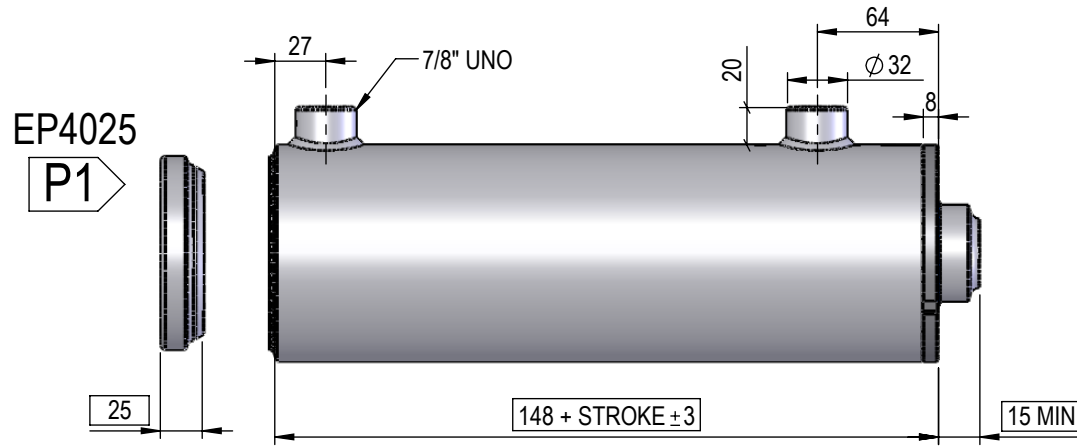


MALE LUG

EC12I60M11I + EP4025



NI SERIES
4" BORE
2" OR 2.25" ROD
CYLINDER

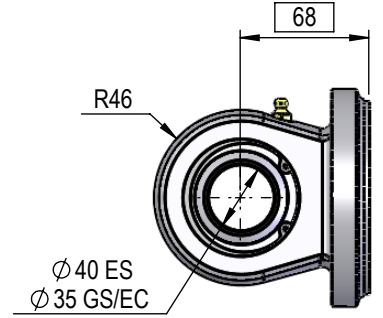
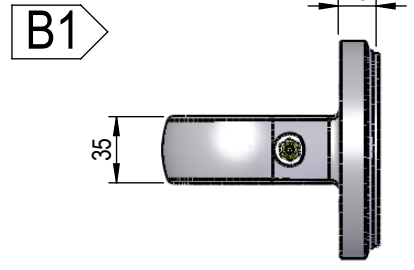


DIMENSIONS IN BOXES TO BE USED FOR BUILD LENGTH

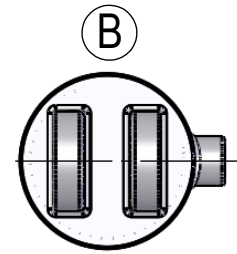
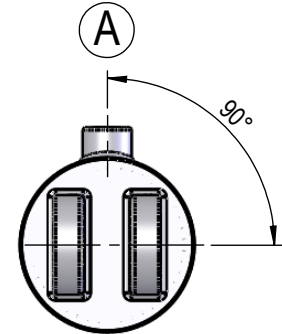
SPHERICAL BEARING

SPHERICAL BEARING

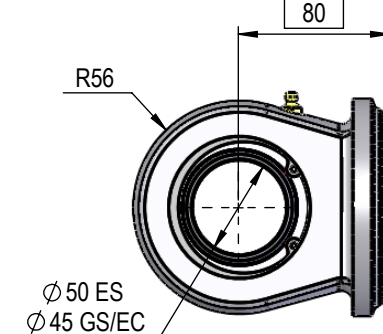
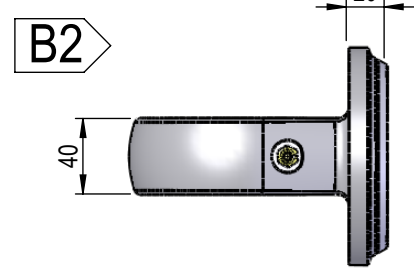
SB-400-40



PORT POSITION



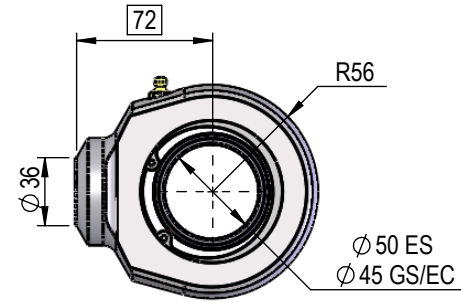
SB-400-50



SBR50

(SUIT 2.25" ROD)

B1



NI SERIES

4" BORE

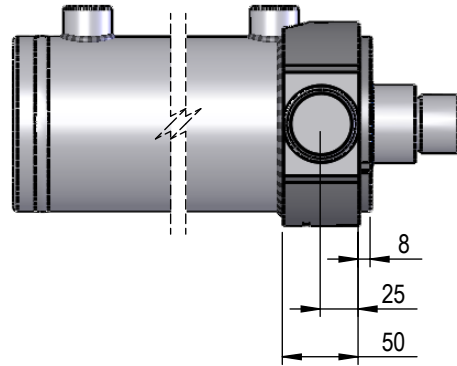
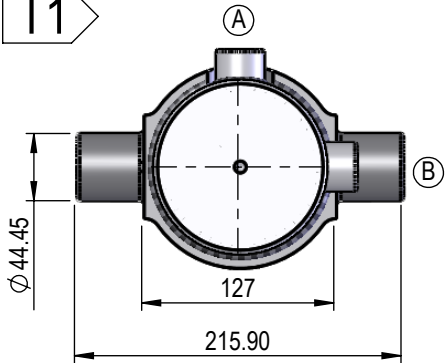
2" OR 2.25" ROD

CYLINDER

TRUNION MOUNT

TR40

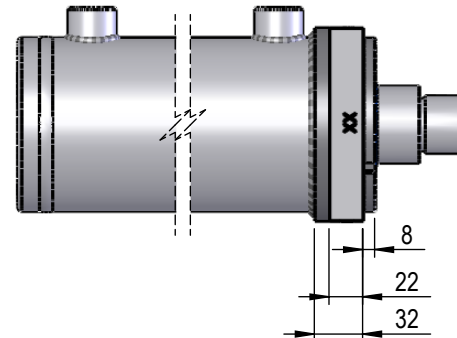
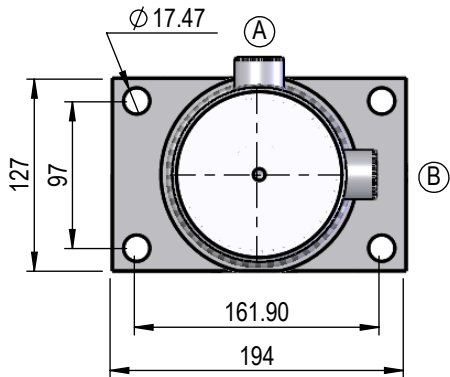
T1



FLANGE MOUNT

FL40

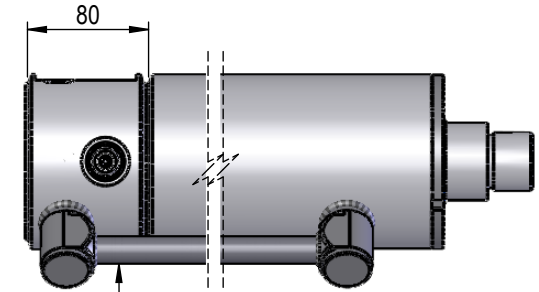
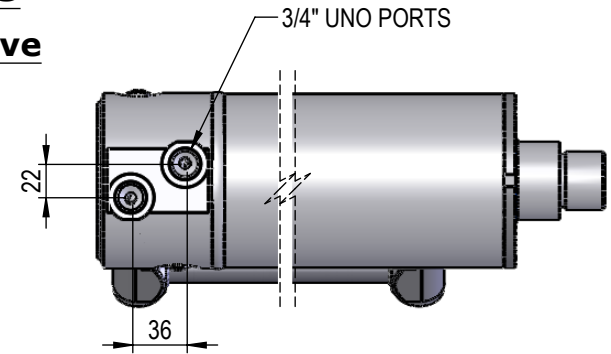
F1



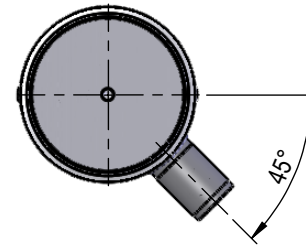
INTERNAL VALVE OPTIONS

Double Counterbalance Valve

Valve cavity Sun T11A
60Lt Pilot operated check valves
Or
60Lt Counterbalance Valves



Transfer Tube can be welded or use fittings



Single Counterbalance Valve

Valve cavity Sun T11A
60Lt Pilot operated check valve
Or
60Lt Counterbalance Valve
Base side holding

