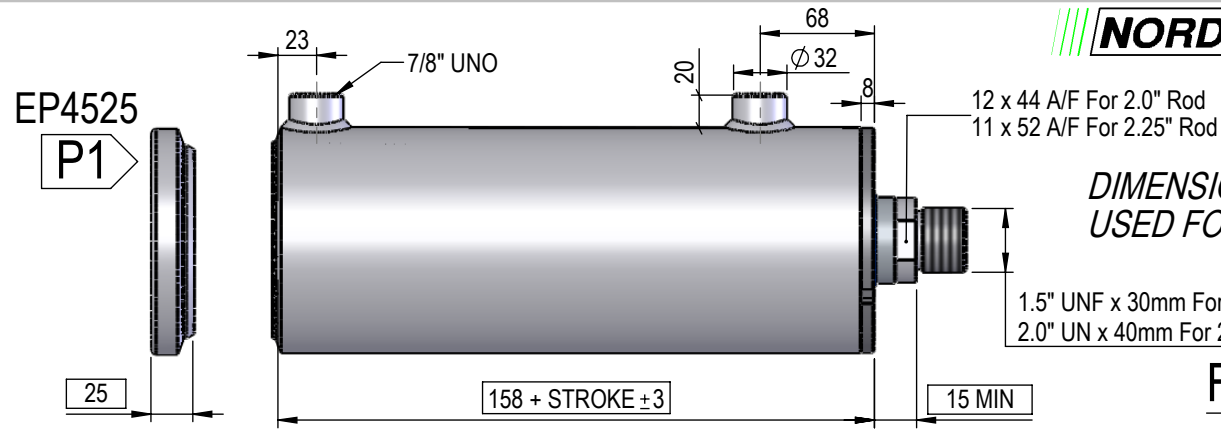


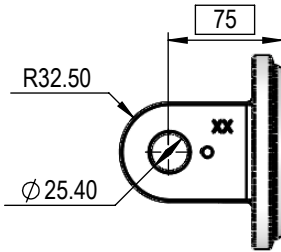
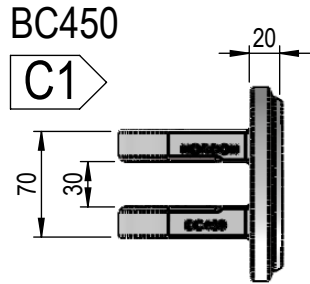
# NI SERIES 4.5" BORE 2" OR 2.25" ROD CYLINDER



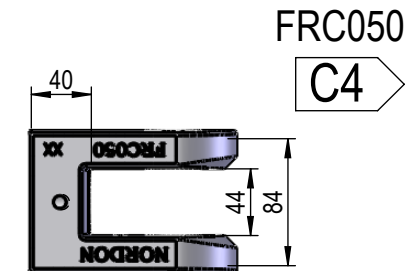
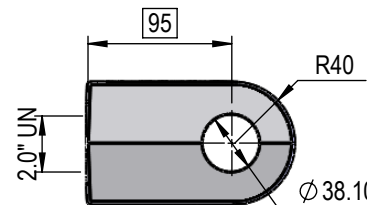
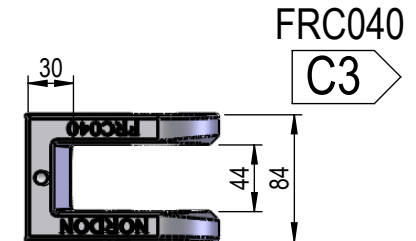
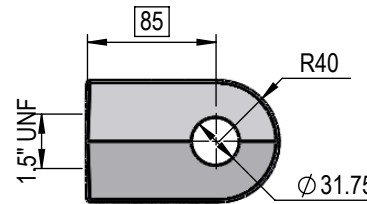
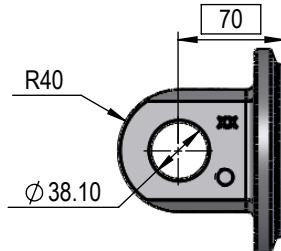
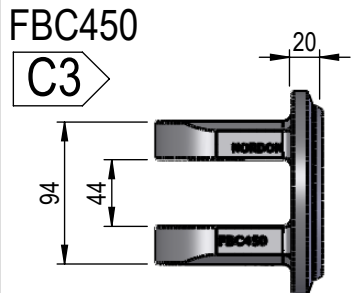
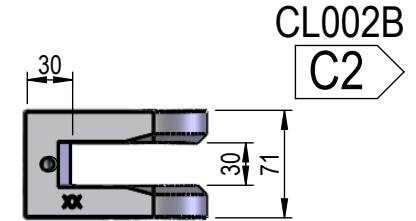
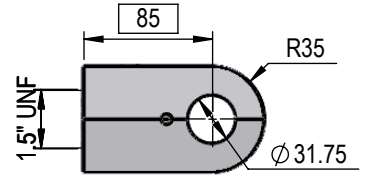
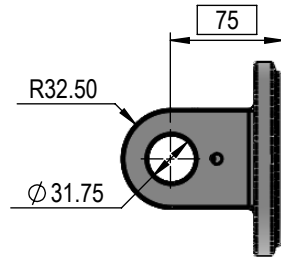
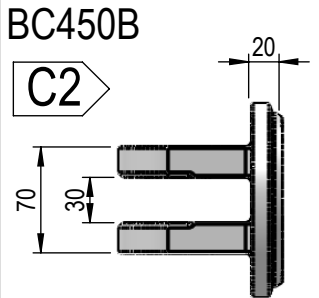
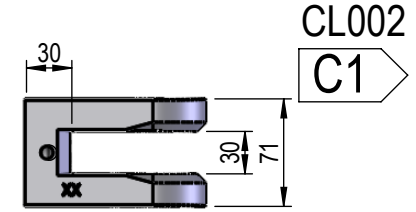
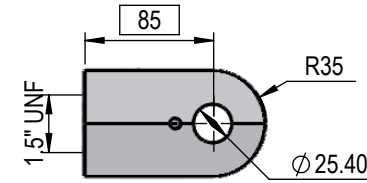
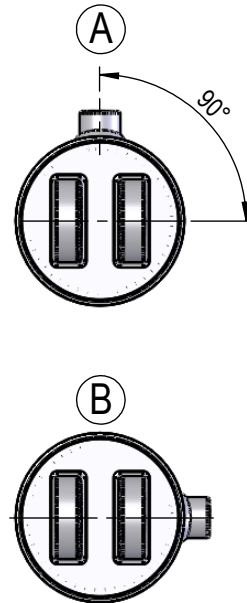
*DIMENSIONS IN BOXES TO BE USED FOR BUILD LENGTH*

## FEMALE CLEVIS

## FEMALE CLEVIS



## PORT POSITION

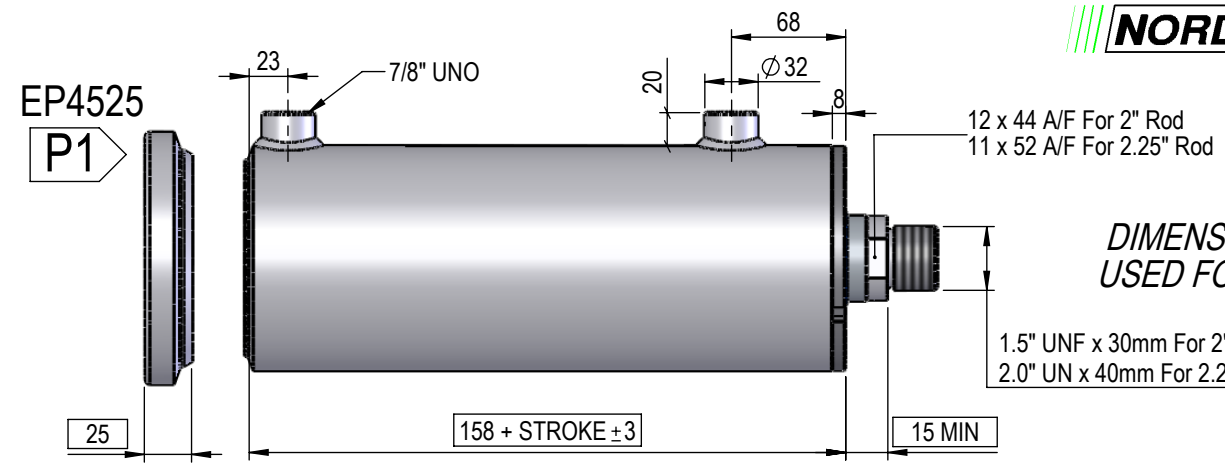


# NI SERIES

## 4.5" BORE

### 2" OR 2.25" ROD

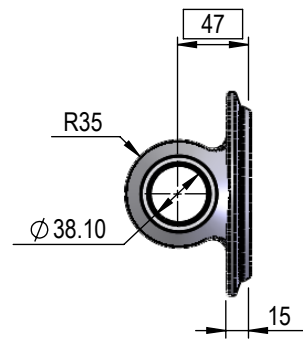
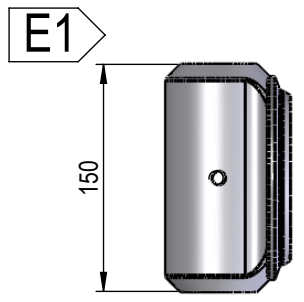
# CYLINDER



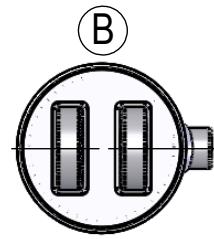
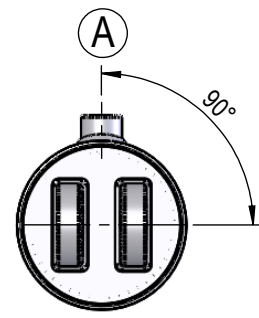
*DIMENSIONS IN BOXES TO BE USED FOR BUILD LENGTH*

## PIN-EYE

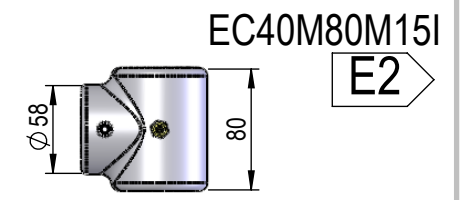
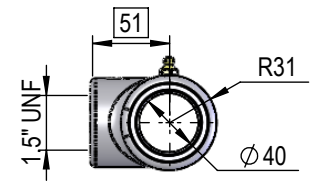
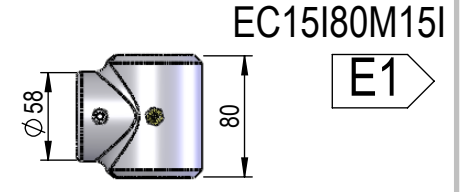
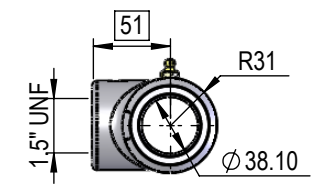
PBC450-15I150M



## PORT POSITION



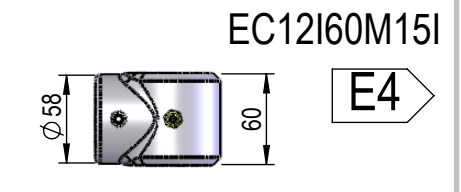
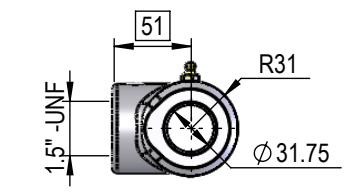
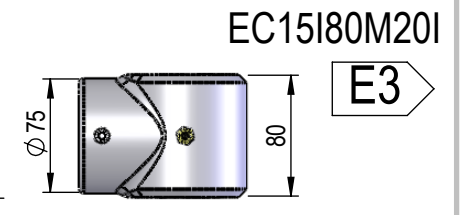
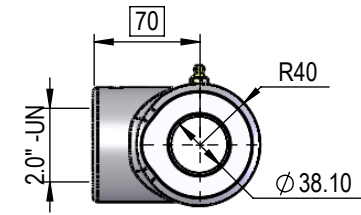
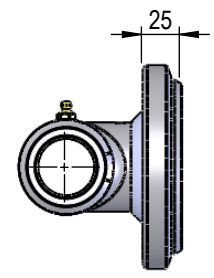
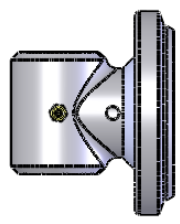
## PIN-EYE



## MALE LUG

Rod Pin Eye (E1-E4) + EP4525

M1-M4



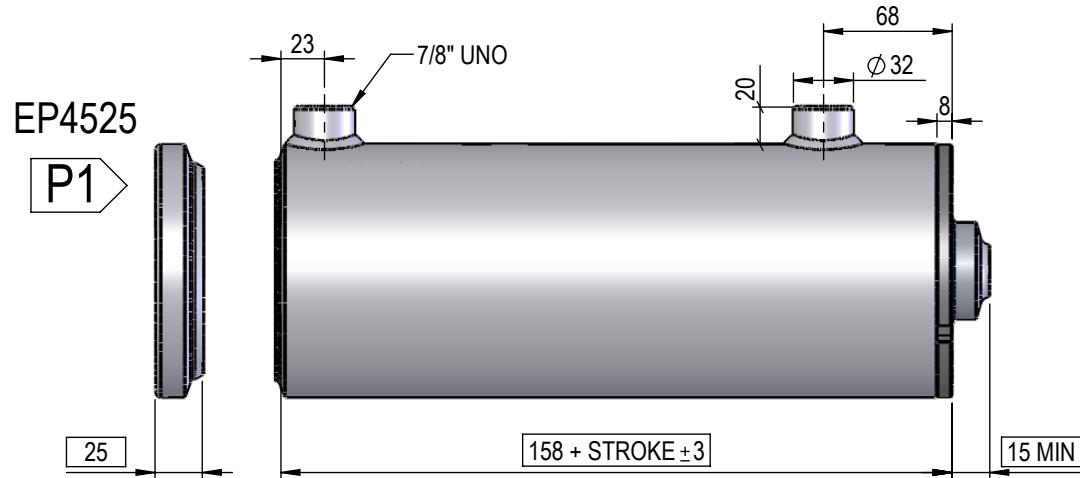
THIS DRAWING AND THE INFORMATION IT CONTAINS IS THE PROPERTY OF NORDON HYDRAULICS PTY LTD AND MAY NOT BE USED FOR ANY PURPOSE WITHOUT WRITTEN AUTHORISATION FROM THE COMPANY. DRAWINGS SUBJECT TO CHANGE WITHOUT NOTICE. E&OE

# NI SERIES

## 4.5" BORE

### 2" OR 2.25" ROD

#### CYLINDER



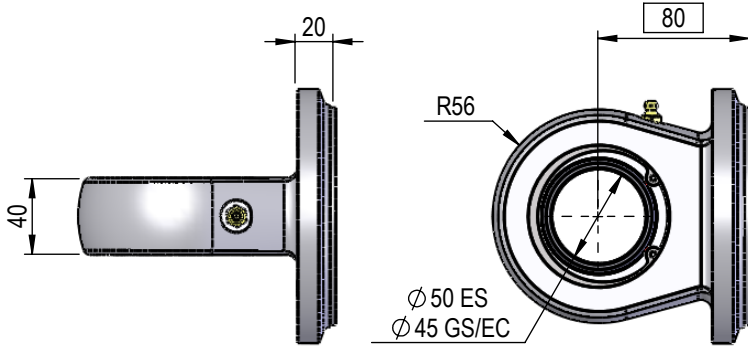
DIMENSIONS IN BOXES TO BE USED FOR BUILD LENGTH

SPHERICAL BEARING

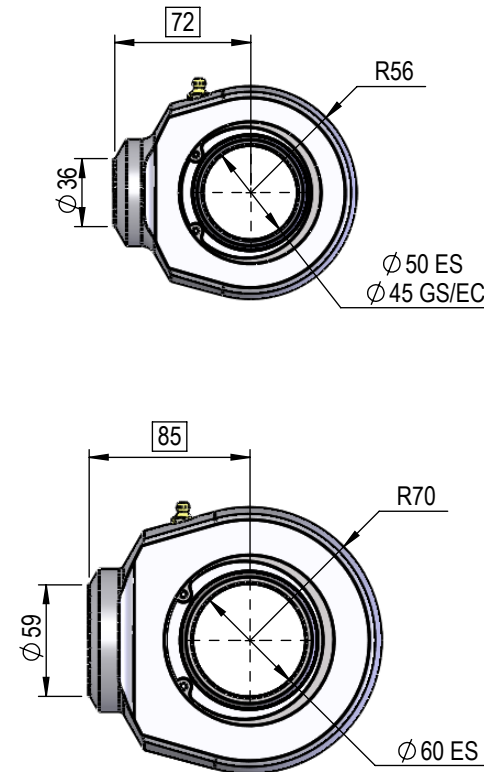
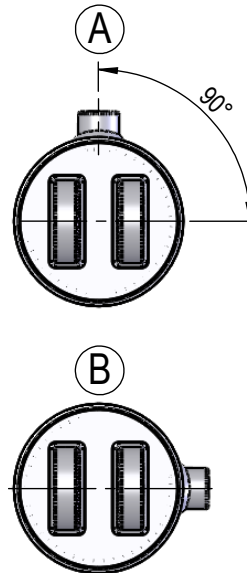
SPHERICAL BEARING

SB-450-50

B1



### PORT POSITION



SBR50

B1

( SUIT 2.25" ROD )



SBR60

B2

( SUIT 2.5" ROD )



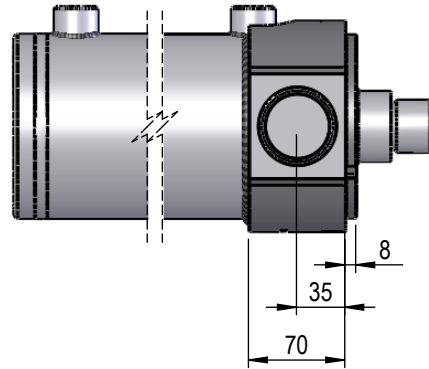
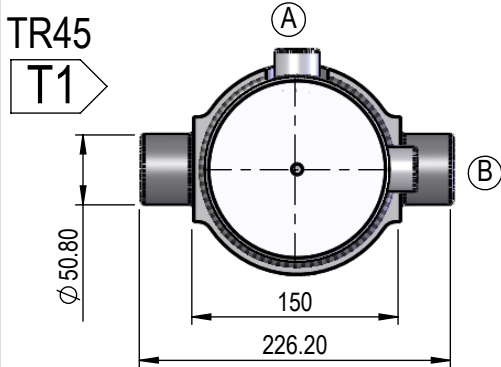
# NI SERIES

## 4.5" BORE

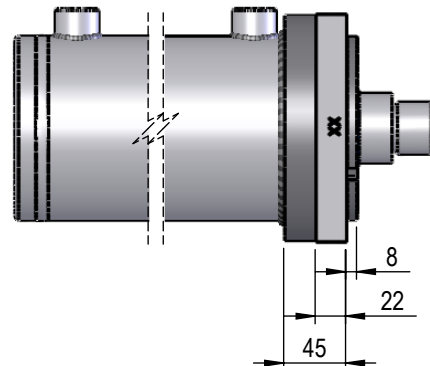
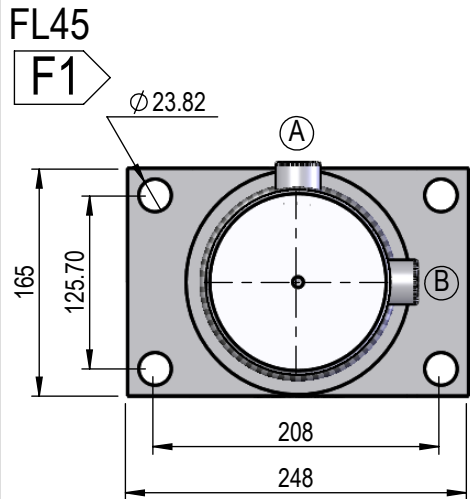
### 2" OR 2.25" ROD

## CYLINDER

### TRUNION MOUNT



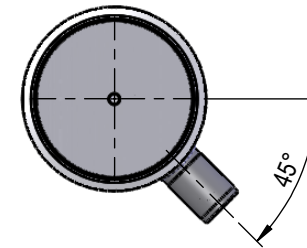
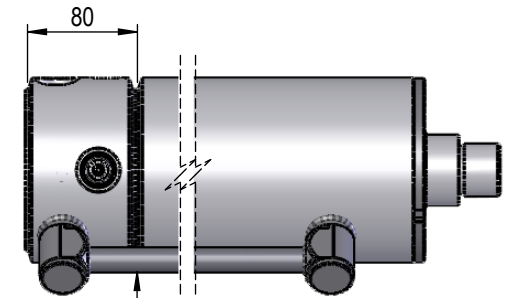
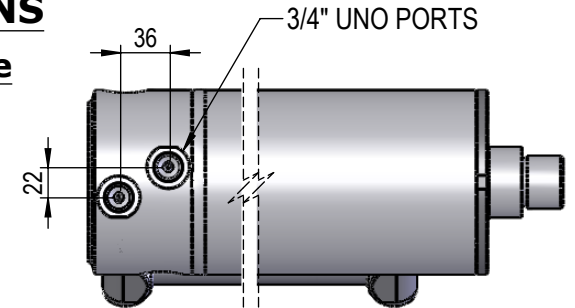
### FLANGE MOUNT



### INTERNAL VALVE OPTIONS

#### Double Counterbalance Valve

Valve cavity Sun T11A  
60Lt Pilot operated check valves  
Or  
60Lt Counterbalance Valves



#### Single Counterbalance Valve

Valve cavity Sun T11A  
60Lt Pilot operated check valve  
Or  
60Lt Counterbalance Valve  
Base side holding

