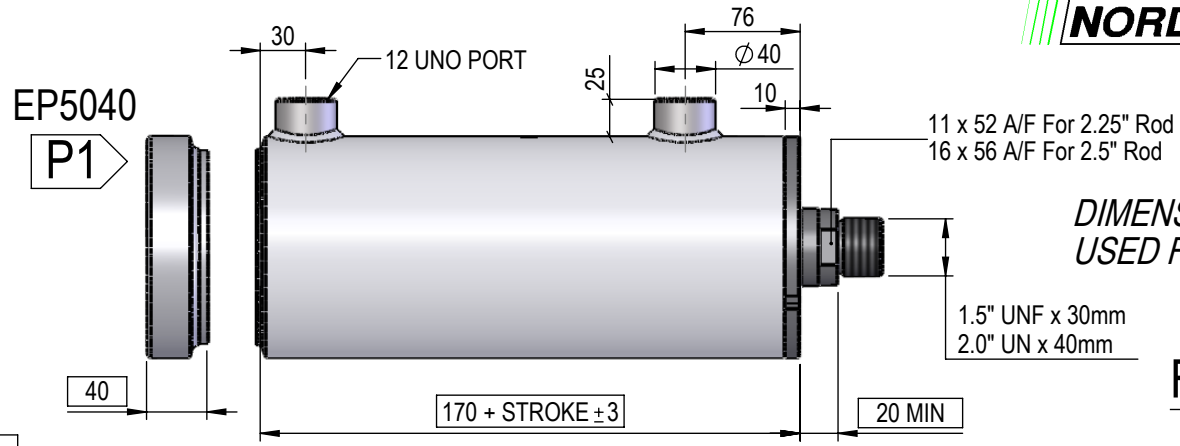


NI SERIES

5" BORE

2.25" OR 2.5" ROD

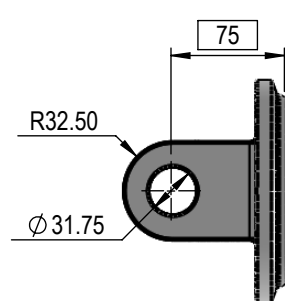
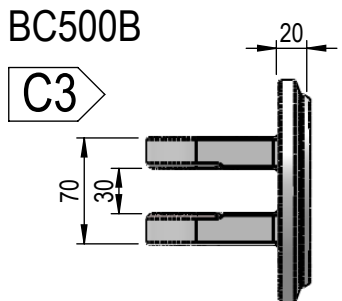
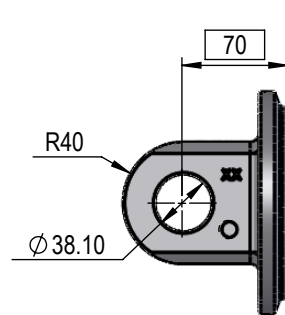
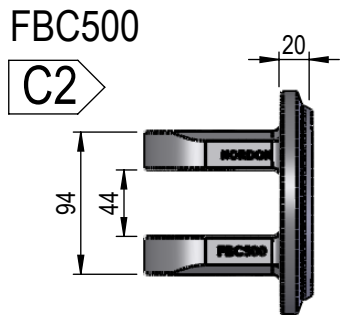
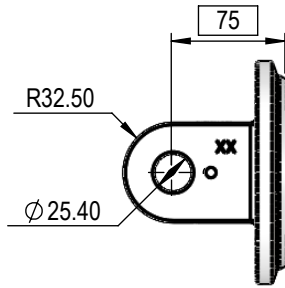
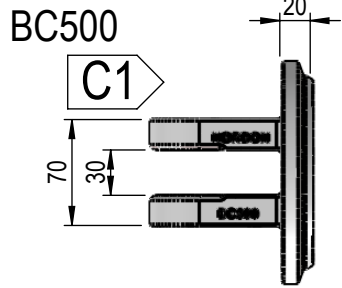
CYLINDER



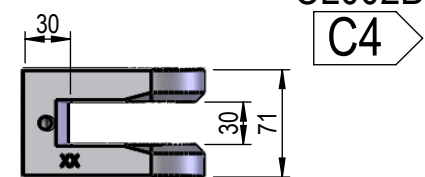
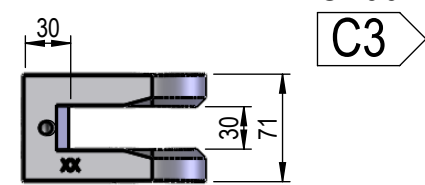
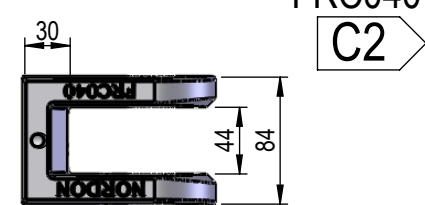
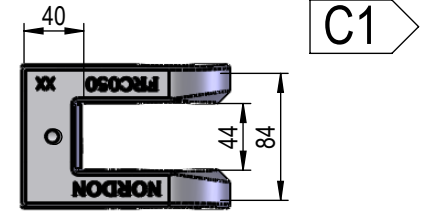
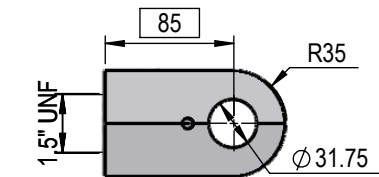
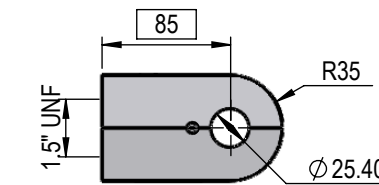
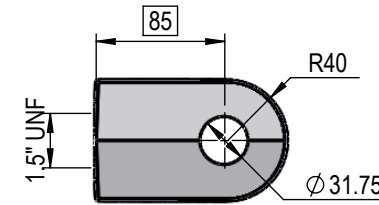
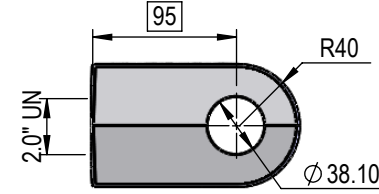
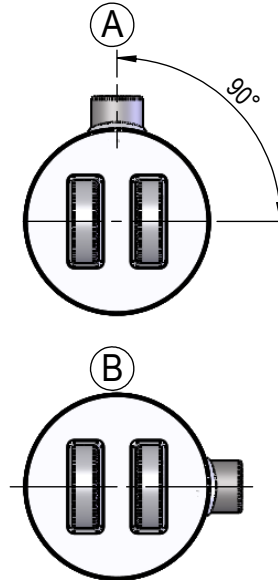
DIMENSIONS IN BOXES TO BE USED FOR BUILD LENGTH

FEMALE CLEVIS

FEMALE CLEVIS



PORT POSITION



NI SERIES

5" BORE

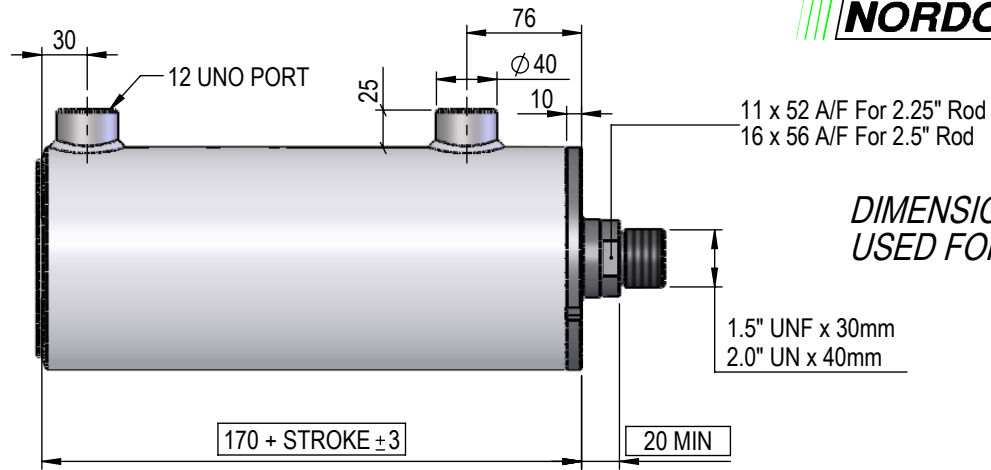
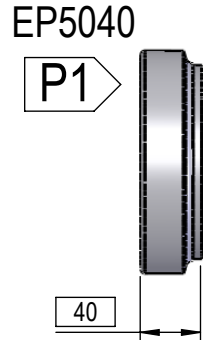
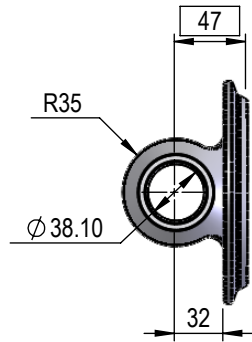
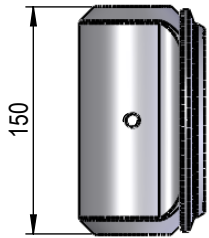
2.25" OR 2.5" ROD

CYLINDER

PIN-EYE

PBC500-15I150M

E1



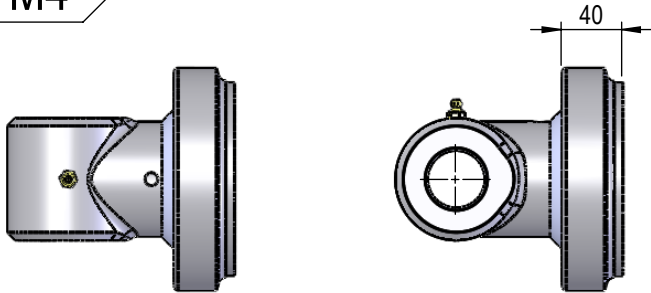
DIMENSIONS IN BOXES TO BE USED FOR BUILD LENGTH

PIN-EYE

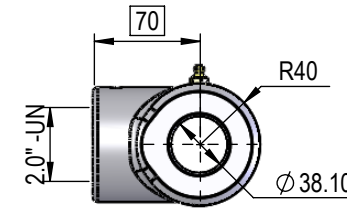
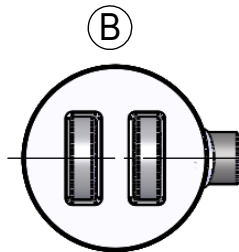
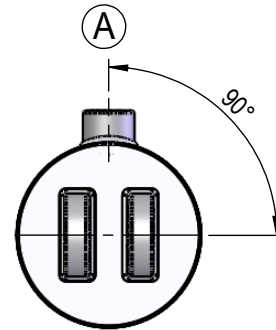
MALE LUG

Rod End Pin Eye (E1-E4) + EP5040

M1-M4

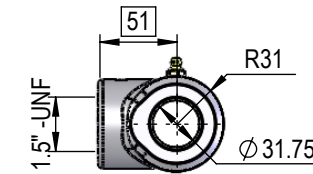
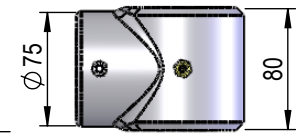


PORT POSITION



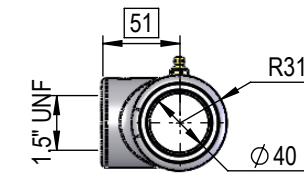
EC15I80M20I

E1



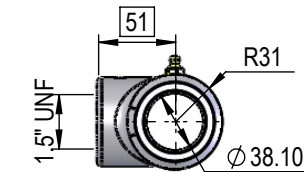
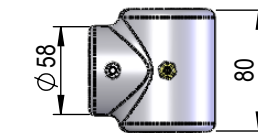
EC12I60M15I

E2



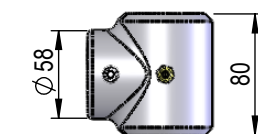
EC40M80M15I

E3



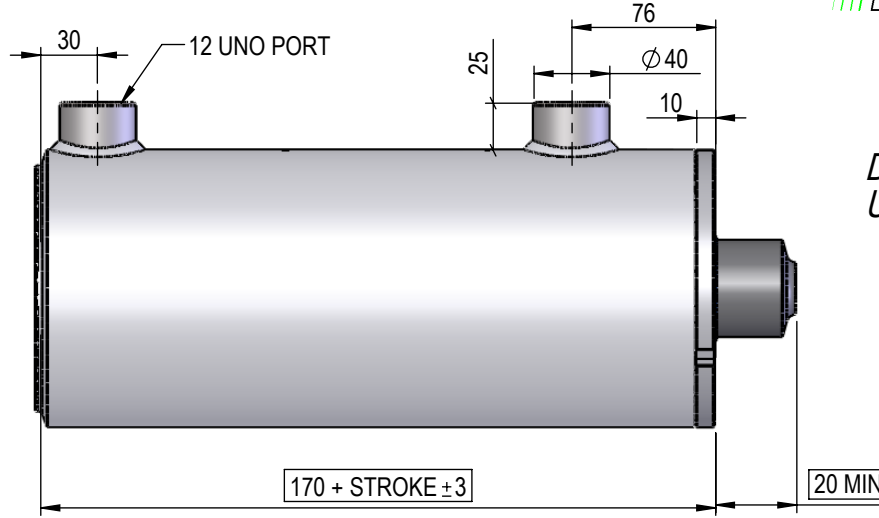
EC15I80M15I

E4



NI SERIES
5" BORE
2.25" OR 2.5" ROD
CYLINDER

EP5040
 P1

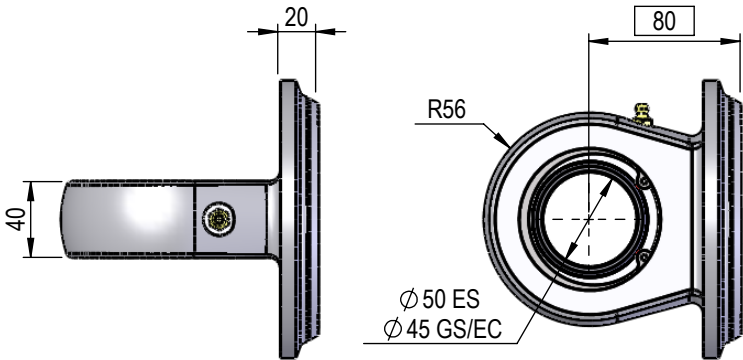


DIMENSIONS IN BOXES TO BE USED FOR BUILD LENGTH

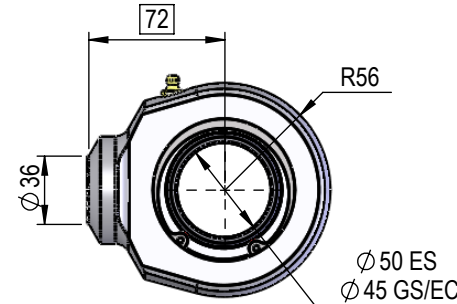
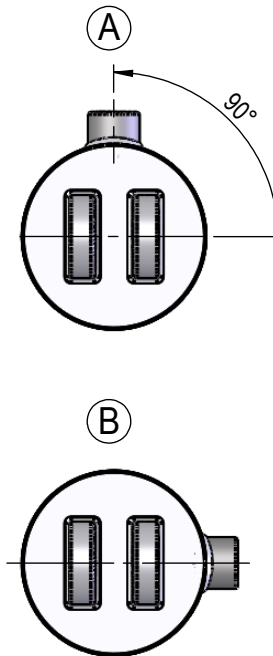
SPHERICAL BEARING

SPHERICAL BEARING

SB-500-50
 B1



PORT POSITION

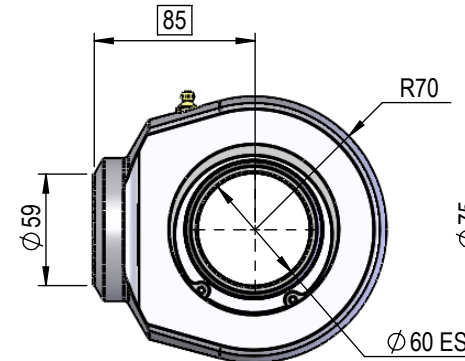


SBR50
 B1

(SUIT 2.25" ROD)

SBR60
 B2

(SUIT 2.5" ROD)



NI SERIES

5" BORE

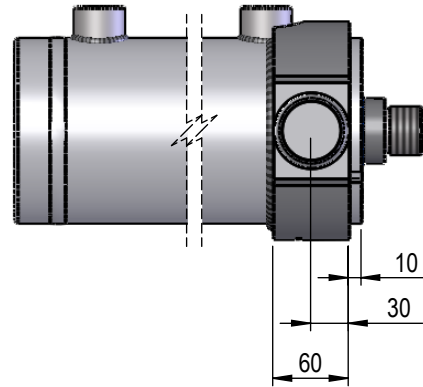
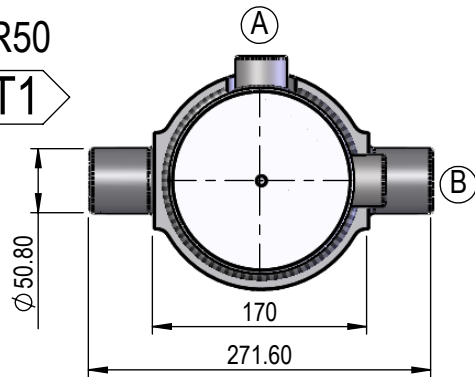
2.25" OR 2.5" ROD

CYLINDER

TRUNION MOUNT

TR50

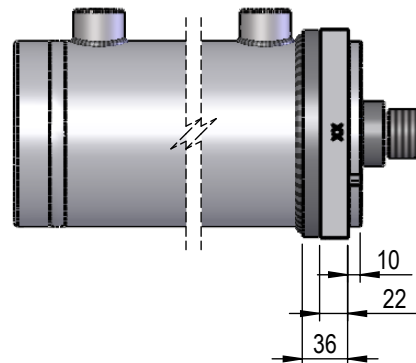
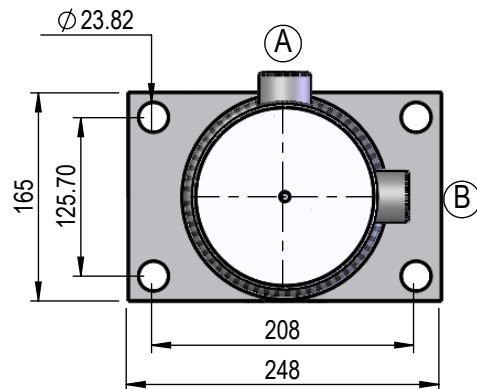
T1



FLANGE MOUNT

FL50

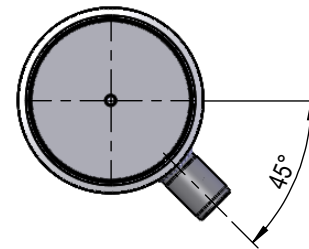
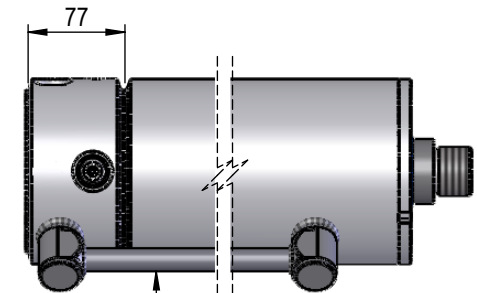
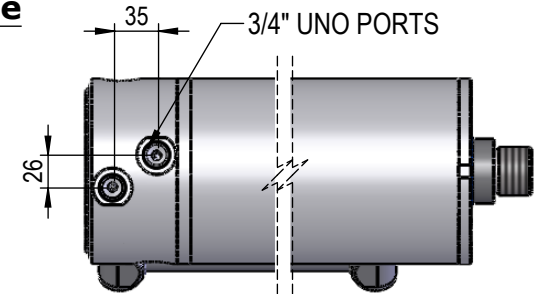
F1



INTERNAL VALVE OPTIONS

Double Counterbalance Valve

Valve cavity Sun T11A
60Lt Pilot operated check valves
Or
60Lt Counterbalance Valves



Single Counterbalance Valve

Valve cavity Sun T11A
60Lt Pilot operated check valve
Or
60Lt Counterbalance Valve
Base side holding

