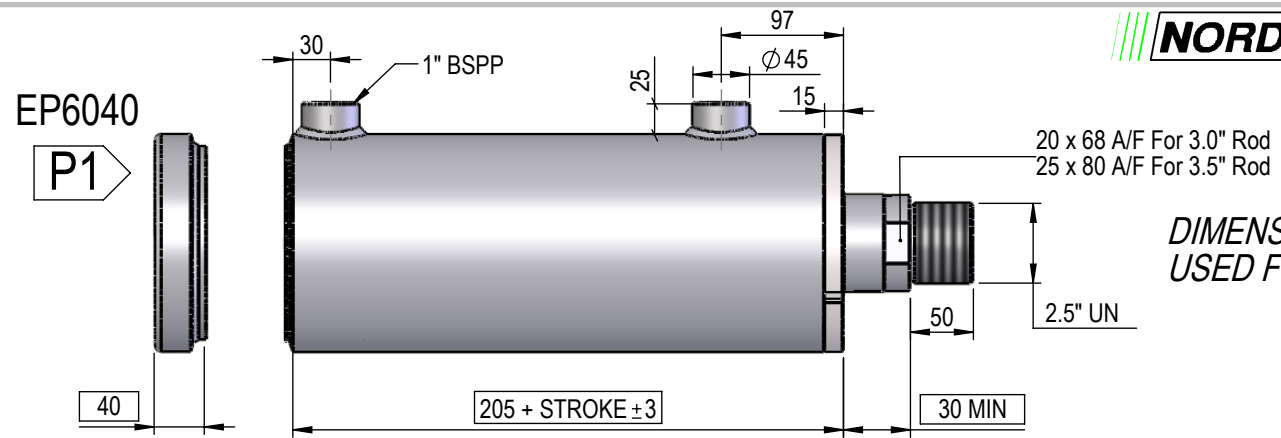


NI SERIES 6" BORE 3" OR 3.5" ROD CYLINDER

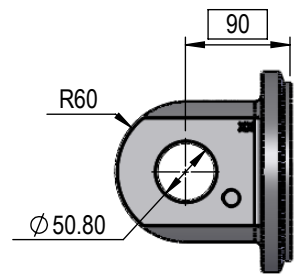
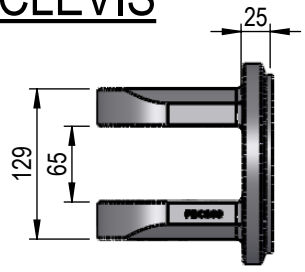


DIMENSIONS IN BOXES TO BE USED FOR BUILD LENGTH

FEMALE CLEVIS

FBC600
HS = 48855 kg

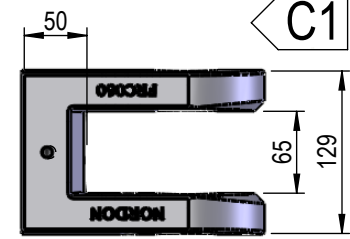
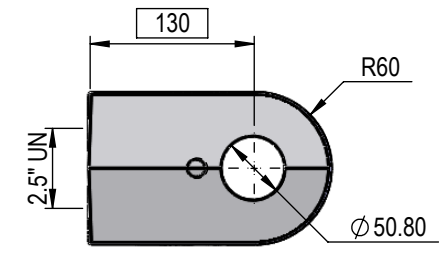
C1



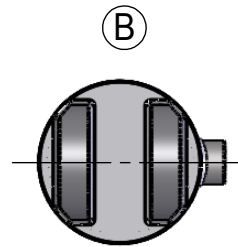
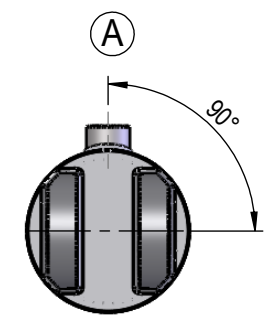
FEMALE CLEVIS

FRC600
HS = 47761 kg

C1



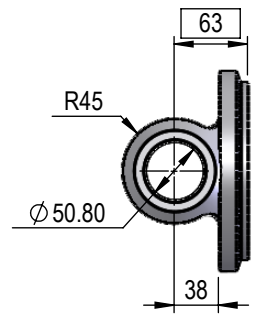
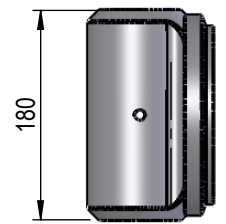
PORT POSITION



PIN EYE

PBC600-201180M
HS = 77350 kg

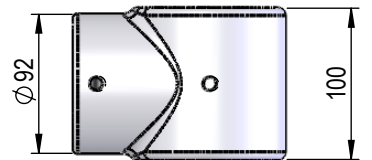
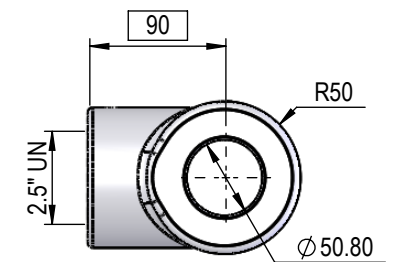
E1



PIN EYE

EC201100M25I
HS = 53041 kg

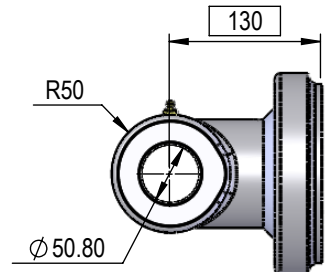
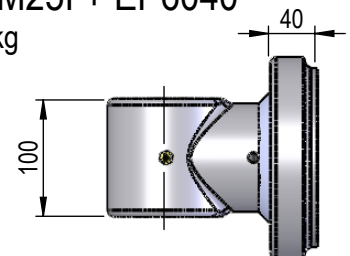
E1



MALE LUG

EC201100M25I + EP6040
HS = 53041 kg

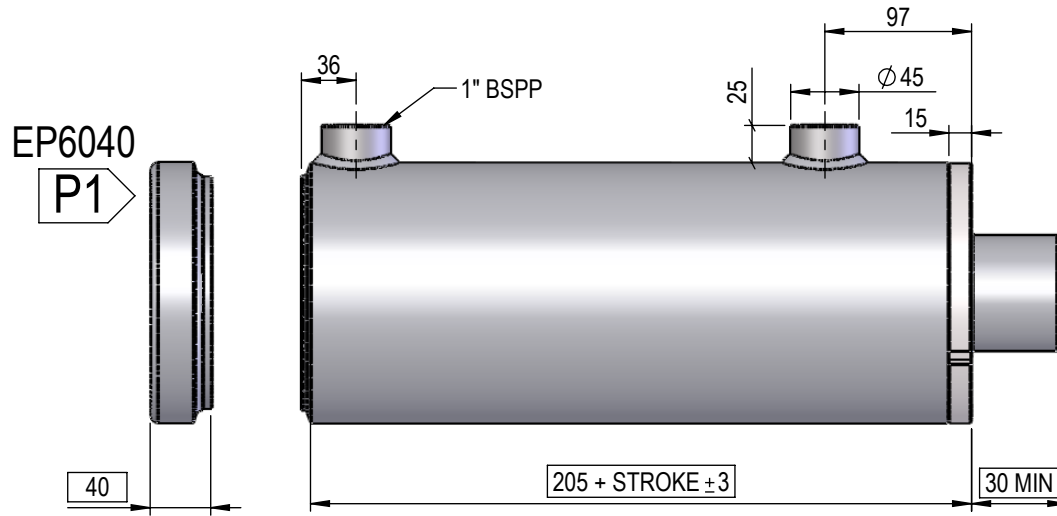
M1



HS = Housing Strength With F.O.S of 3:1

THIS DRAWING AND THE INFORMATION IT CONTAINS IS THE PROPERTY OF NORDON HYDRAULICS PTY LTD AND MAY NOT BE USED FOR ANY PURPOSE WITHOUT WRITTEN AUTHORISATION FROM THE COMPANY. DRAWINGS SUBJECT TO CHANGE WITHOUT NOTICE. E&OE

NI SERIES
6" BORE
3" OR 3.5" ROD
CYLINDER



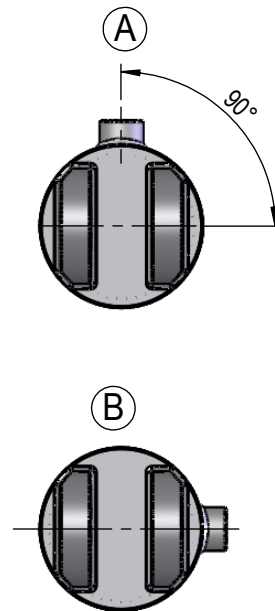
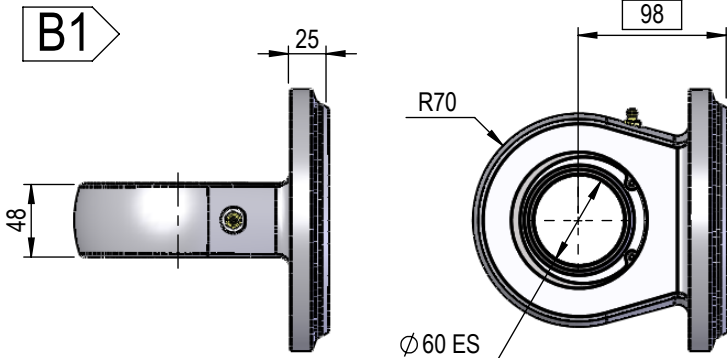
*DIMENSIONS IN BOXES TO BE
 USED FOR BUILD LENGTH*

SPHERICAL BEARING

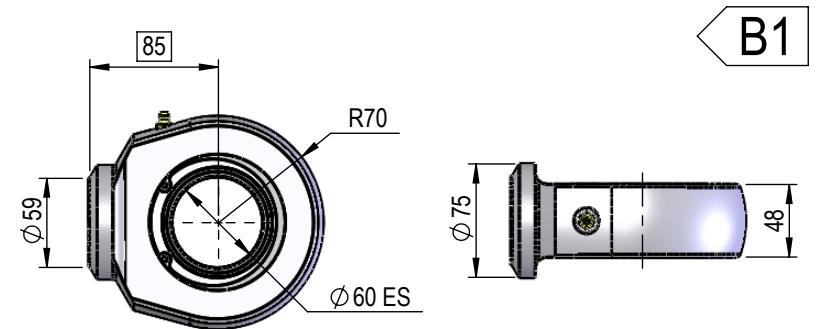
PORT POSITION

SPHERICAL BEARING

SB-600-60
 HS = 26645 kg



SBR60
 HS = 26645 kg



NI SERIES

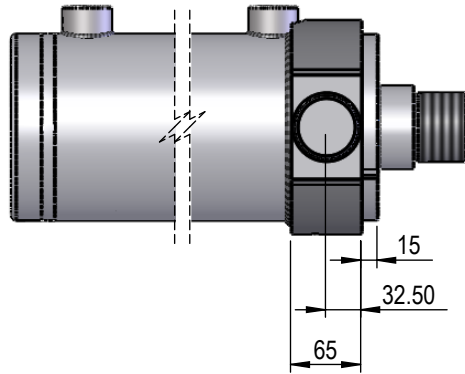
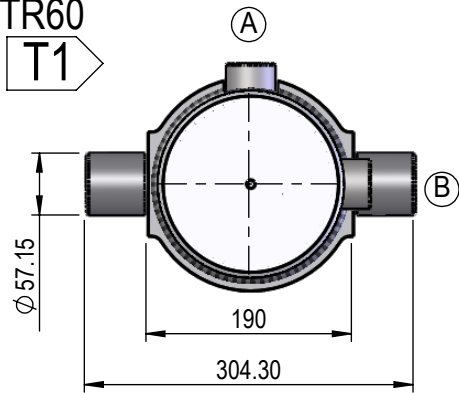
6" BORE

3" OR 3.5" ROD

CYLINDER

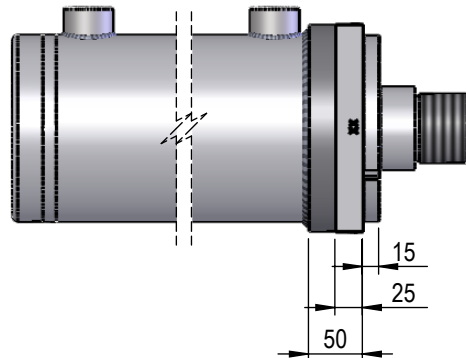
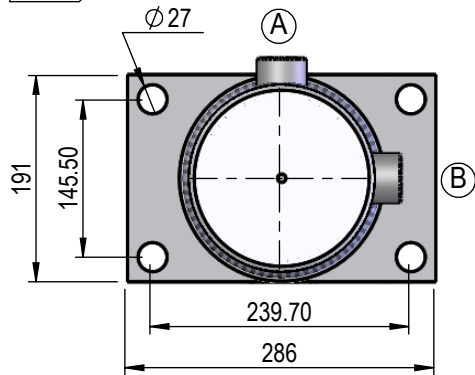
TRUNION MOUNT

TR60
T1



FLANGE MOUNT

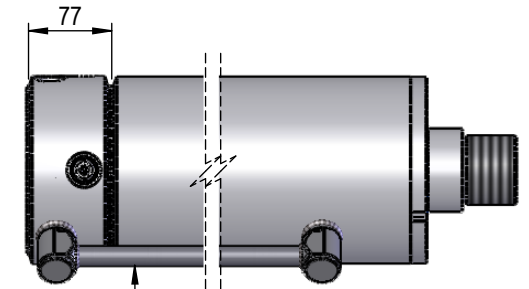
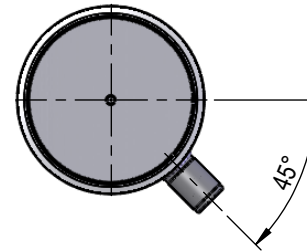
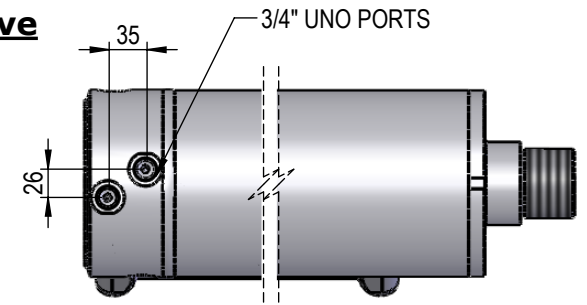
FL60
F1



INTERNAL VALVE OPTIONS

Double Counterbalance Valve

Valve cavity Sun T11A
60Lt Pilot operated check valves
Or
60Lt Counterbalance Valves



Single Counterbalance Valve

Valve cavity Sun T11A
60Lt Pilot operated check valve
Or
60Lt Counterbalance Valve
Base side holding

