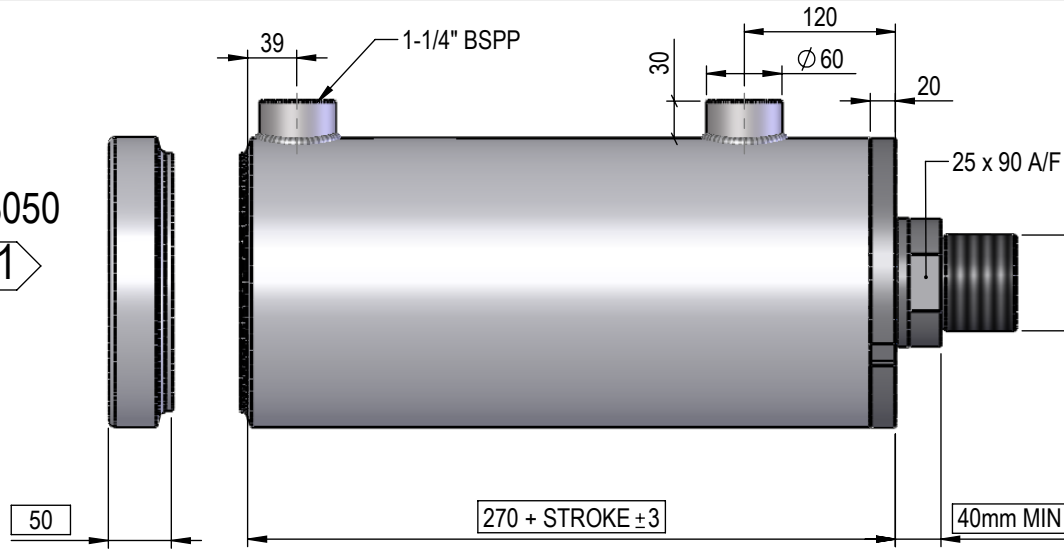


NI SERIES
8.0" BORE
4.0" ROD
CYLINDER

EP8050
 P1



DIMENSIONS IN BOXES TO BE USED FOR BUILD LENGTH

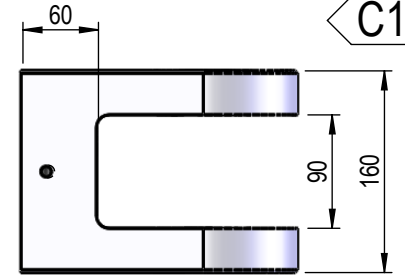
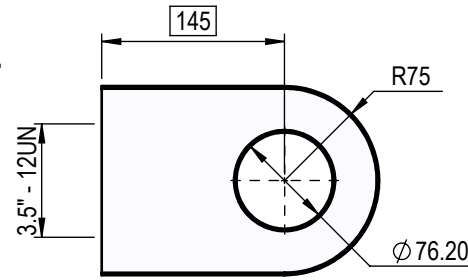
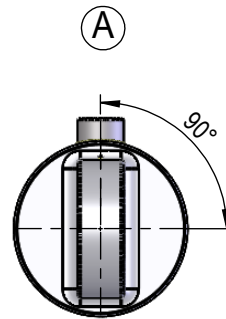
3.5" UN x 60mm

FEMALE CLEVIS

FRC080
 HS = 61242 kg

C1

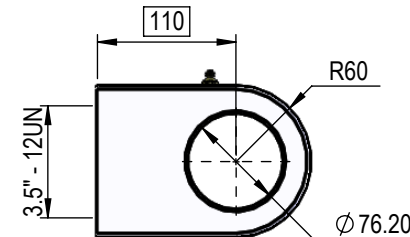
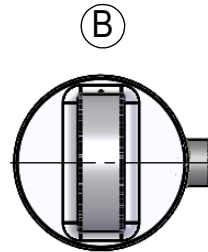
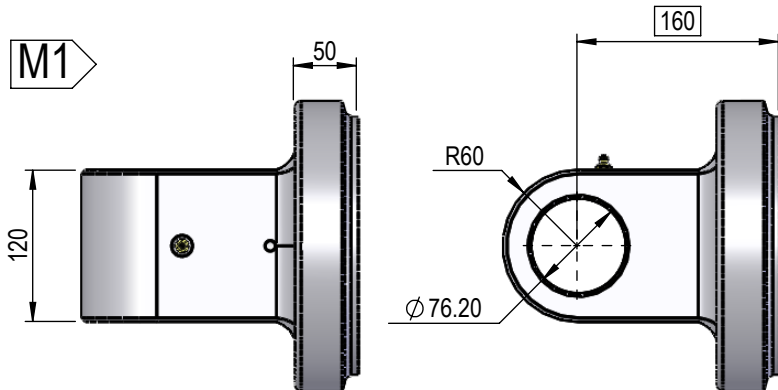
PORT POSITION



MALE LUG

EC30I120M35I + EP8050
 HS = 61961 kg

M1

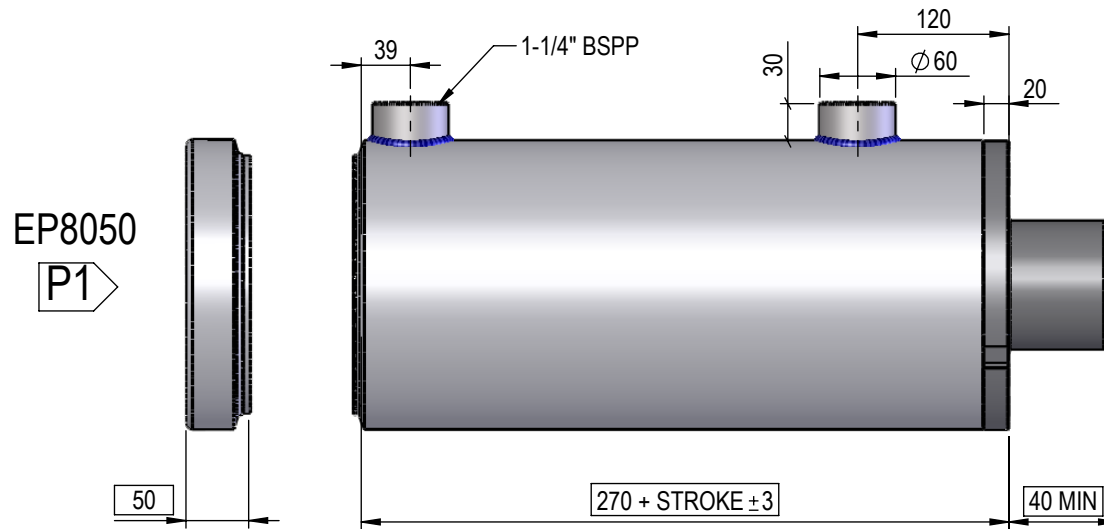


PIN-EYE

EC30I120M35I
 HS = 61961 kg

E1

NI SERIES
8.0" BORE
4.0" ROD
CYLINDER



DIMENSIONS IN BOXES TO BE USED FOR BUILD LENGTH

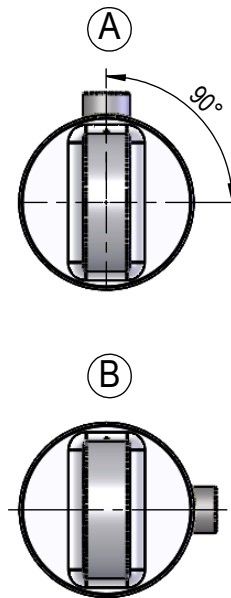
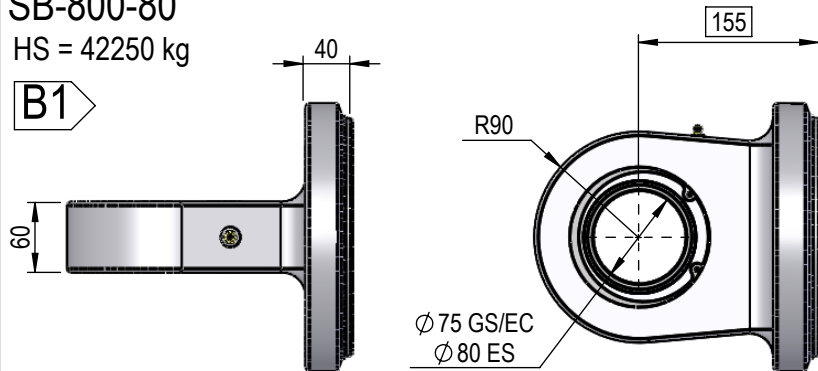
SPHERICAL BEARING

PORT POSITION

SPHERICAL BEARING

SB-800-80
 HS = 42250 kg

B1



SBR80
 HS = 42250 kg

B1

