

NIP SERIES

3.5" BORE

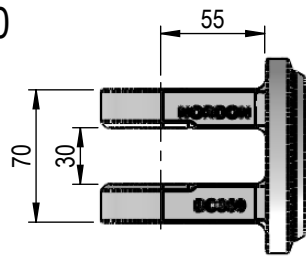
1.25" OR 1.75" ROD
PHASING CYLINDER

DIMS IN BOXES TO BE
USED FOR BUILD LENGTH

FEMALE CLEVIS

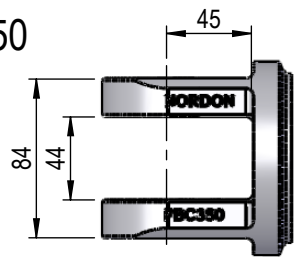
BC350

C1



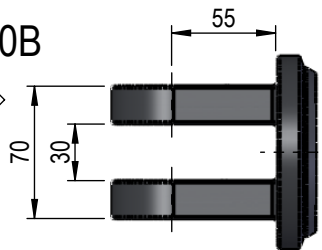
FBC350

C2



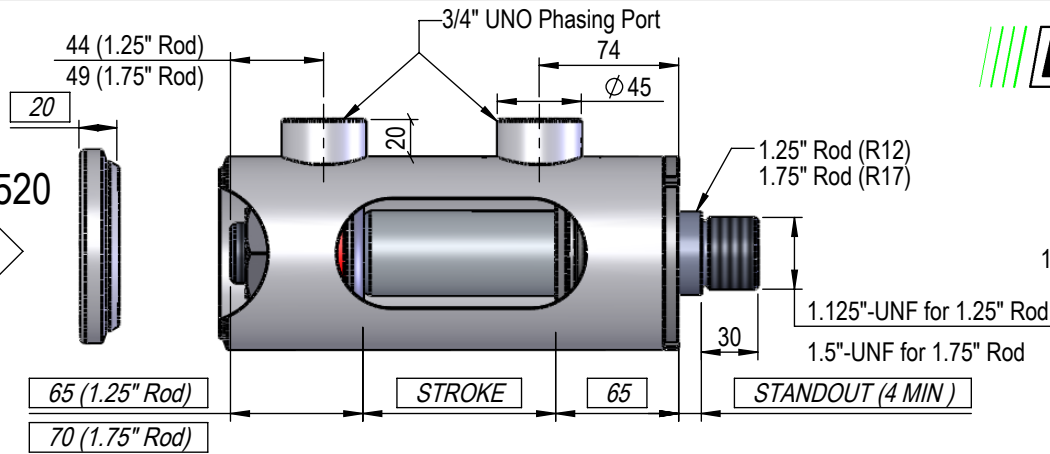
BC350B

C3



EP3520

P1

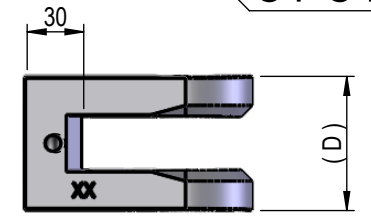
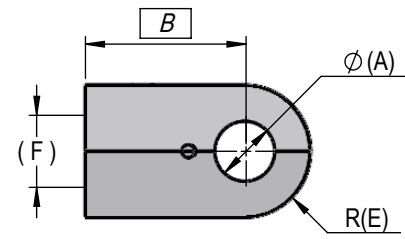
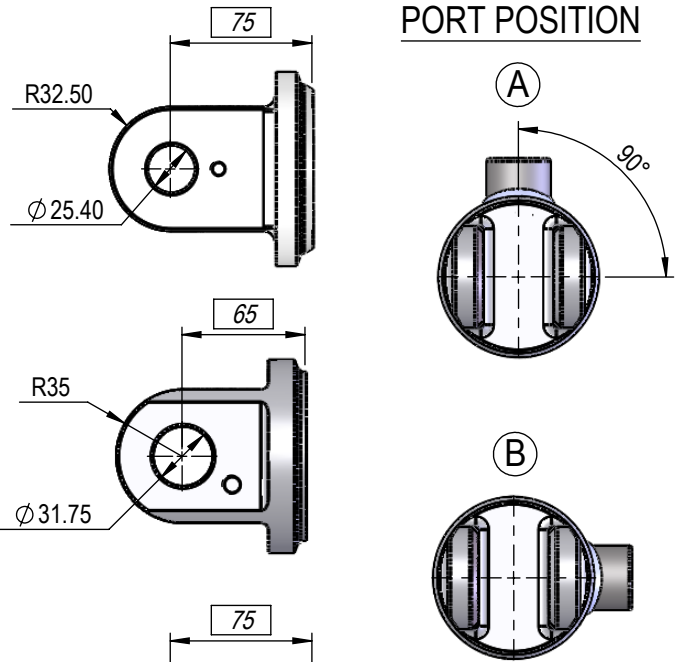


PHASING AVAILBLE AT
BOTH ENDS, OR AT EITHER
BASE OR ROD END ONLY.

FEMALE CLEVIS

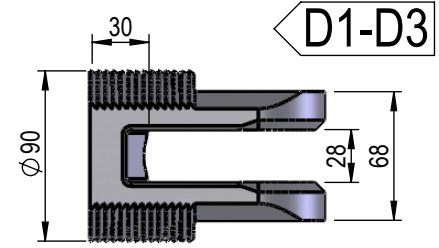
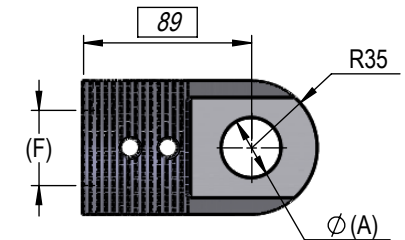
C1-C4

PORT POSITION



ROD END FEMALE CLEVIS DIMENSIONS							
A	B	C	D	E	F	PART NUMBER	CODE
25.4	75	28	64	28	1.125"-UNF	FRC025	C4
25.4	85	28	71	28	*1.5"-UNF	CL002	C1
31.75	85	28	71	28	*1.5"-UNF	CL002B	C2
31.75	85	44	84	44	*1.5"-UNF	FRC40	C3
DEPTH STOP CLEVIS DIMENSIONS							
A	B	C	D	E	F	PART NUMBER	CODE
25.4	89	28	68	28	1.125"-UNF	CLR-DS-10I-11I	D1
31.75	89	28	68	28	1.125"-UNF	CLR-DS-12I-11I	D2
31.75	89	28	68	28	1.5"-UNF	CLR-DS-12I-15I	D3

* USE WITH ROD ADAPTOR BU1511 FOR 1.25" ROD



D1-D3

NOTE: ALL THREADS MACHINED TO 2A/B SPECIFICATION.
ALL PIN HOLES MACHINED TO D9 TOLERANCE.

THIS DRAWING AND THE INFORMATION IT CONTAINS IS THE PROPERTY OF NORDON HYDRAULICS PTY LTD
AND MAY NOT BE USED FOR ANY PURPOSE WITHOUT WRITTEN AUTHORISATION FROM THE COMPANY.
DRAWINGS SUBJECT TO CHANGE WITHOUT NOTICE. E&OE

STD. OPEN/CLOSED ±3mm

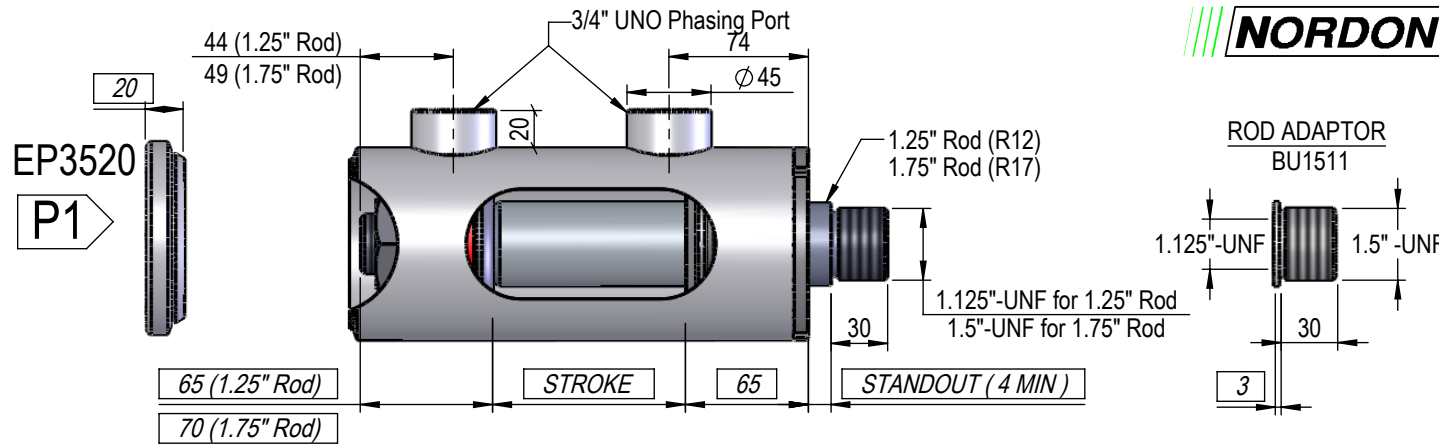
NIP SERIES

3.5" BORE

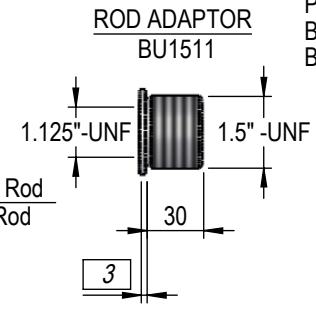
1.25" OR 1.75" ROD

PHASING CYLINDER

DIMS IN BOXES TO BE USED FOR BUILD LENGTH



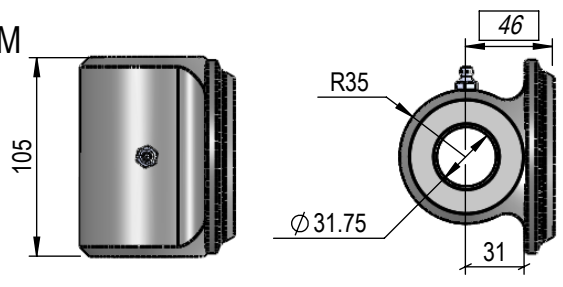
PHASING AVAILABLE AT BOTH ENDS, OR AT EITHER BASE OR ROD END ONLY.



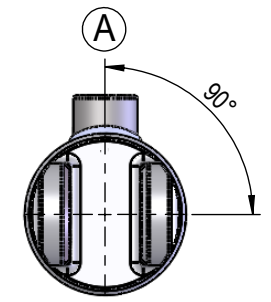
PIN EYE

PBC350-121105M

E1

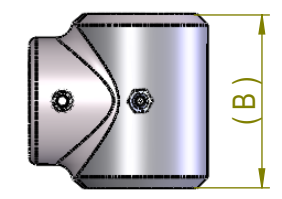


PORT POSITION



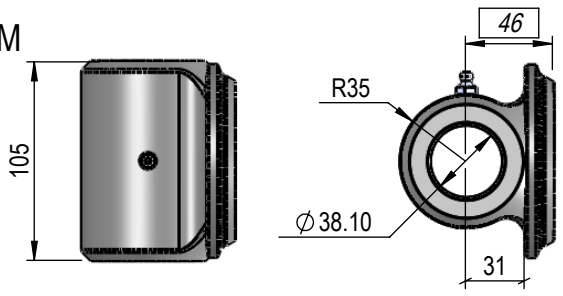
PIN EYE

E1-E10



PBC350-151105M

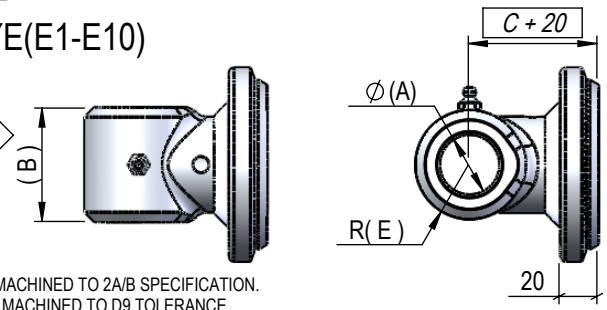
E2



MALE LUG

ROD PIN-EYE(E1-E10) + EP3520

M1-M10



ROD END PIN EYE DIMENSIONS

A	B	C	D	E	PART NUMBER	CODE
25.4	50	48	1.125"-UNF	25	EC10I50M11I	E4
25.4	60	48	1.125"-UNF	28.5	EC10I60M11I	E5
25.4	74	51	1.125"-UNF	20	EC10I51M74M	E6
25.4	90	51	1.125"-UNF	20	EC10I51M90M	E7
25.4	128	51	1.125"-UNF	20	EC10I51M128M	E8
31.75	50	48	1.125"-UNF	28.5	EC12I50M11I	E9
31.75	60	48	1.125"-UNF	28.5	EC12I60M11I	E10
31.75	60	51	1.5"-UNF	31	EC12I60M15I	E3
38.1	80	51	1.5"-UNF	31	EC15I80M15I	E1

NOTE: ALL THREADS MACHINED TO 2A/B SPECIFICATION. ALL PIN HOLES MACHINED TO D9 TOLERANCE.

THIS DRAWING AND THE INFORMATION IT CONTAINS IS THE PROPERTY OF NORDON HYDRAULICS PTY LTD AND MAY NOT BE USED FOR ANY PURPOSE WITHOUT WRITTEN AUTHORISATION FROM THE COMPANY. DRAWINGS SUBJECT TO CHANGE WITHOUT NOTICE. E&OE

STD. OPEN/CLOSED ±3mm

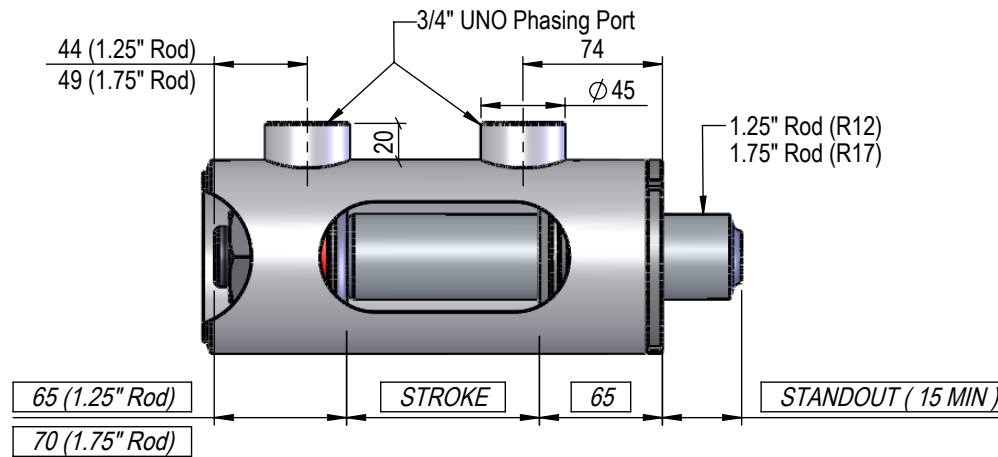
NIP SERIES

3.5" BORE

1.25" OR 1.75" ROD

PHASING CYLINDER

DIMS IN BOXES TO BE USED FOR BUILD LENGTH

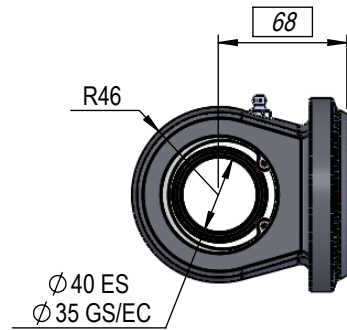
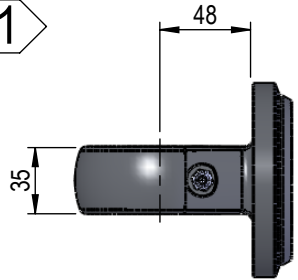


PHASING AVAILABLE AT BOTH ENDS, OR AT EITHER BASE OR ROD END ONLY.

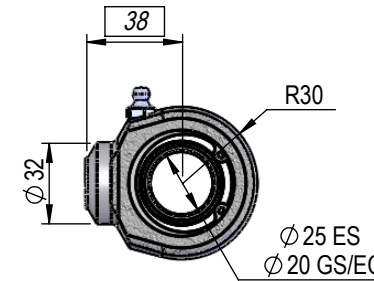
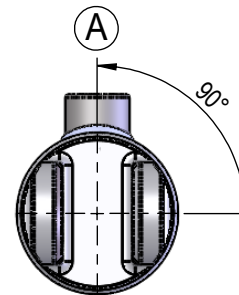
SPHERICAL BEARING

SB-350-40

B1



PORT POSITION



SPHERICAL BEARING

SBR25

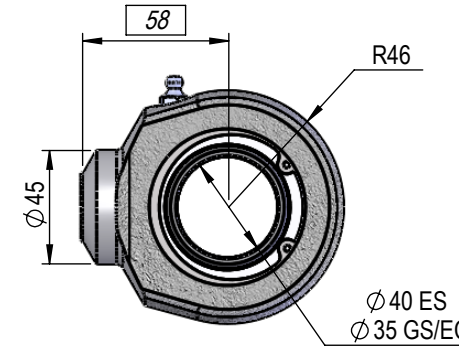
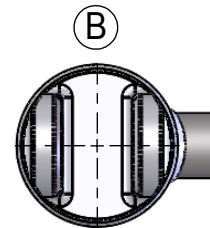
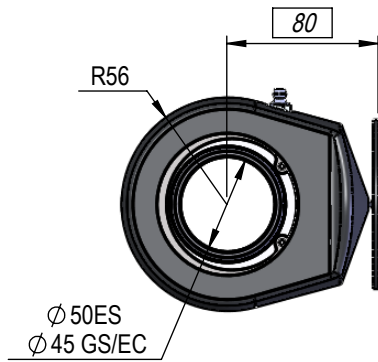
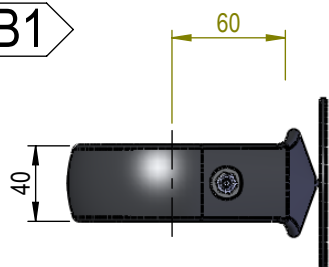
B1

(SUIT 1.25" Rod)



SB-350-50

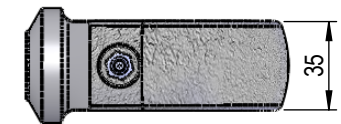
B1



SBR40

B2

(SUIT 1.75" Rod)



NOTE: ALL THREADS MACHINED TO 2A/B SPECIFICATION.
ALL PIN HOLES MACHINED TO D9 TOLERANCE.

THIS DRAWING AND THE INFORMATION IT CONTAINS IS THE PROPERTY OF NORDON HYDRAULICS PTY LTD AND MAY NOT BE USED FOR ANY PURPOSE WITHOUT WRITTEN AUTHORISATION FROM THE COMPANY. DRAWINGS SUBJECT TO CHANGE WITHOUT NOTICE. E&OE

STD. OPEN/CLOSED ±3mm