

NIP SERIES

4.5" BORE

1.5" OR 2.0" ROD

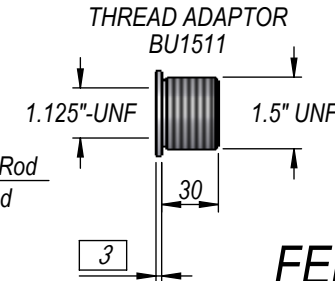
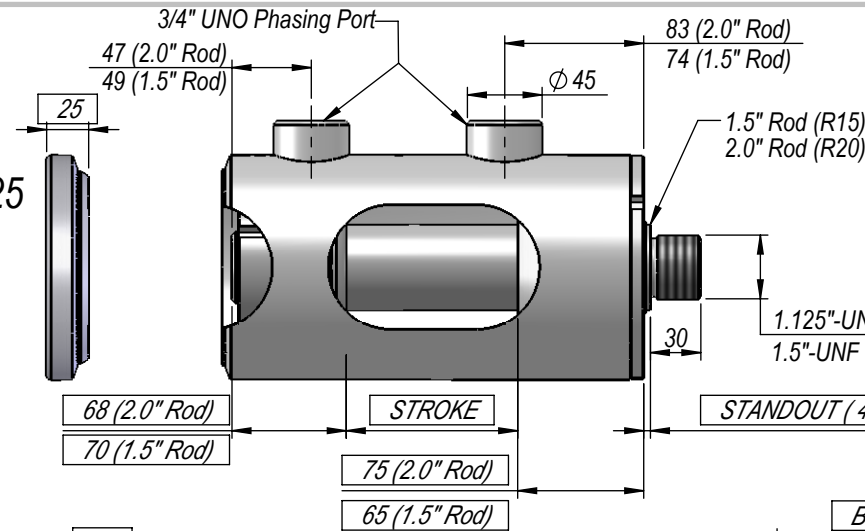
PHASING CYLINDER

DIMS IN BOXES TO BE USED FOR BUILD LENGTH



EP4525

P1



PHASING AVAILABLE AT BOTH ENDS, OR AT EITHER BASE OR ROD END ONLY.

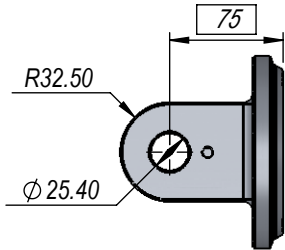
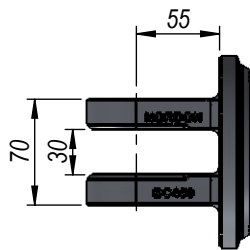
FEMALE CLEVIS

C1-C7

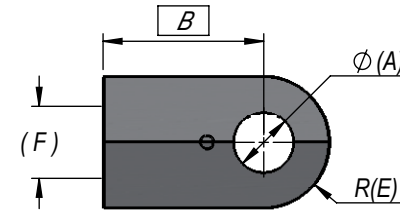
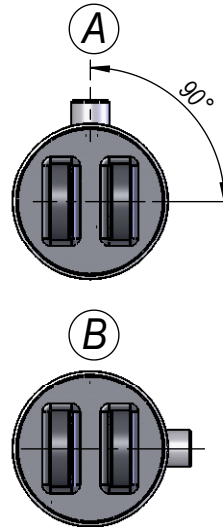
FEMALE CLEVIS

BC450

C1



PORT POSITION



ROD END FEMALE CLEVIS DIMENSIONS

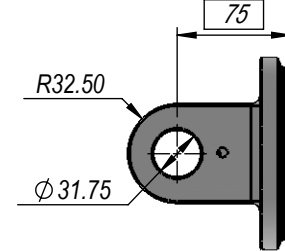
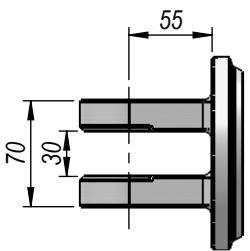
A	B	C	D	E	F	PART NUMBER	CODE
25.4	75	28	64	32	1.125"-UNF	FRC025	C5
25.4	89	28	69	25	1.125"-UNF	CL001	C6
25.4	75	28	59	32	1.125"-UNF	CLR001	C7
25.4	85	28	71	35	1.5"-UNF	CL002	C1
31.75	85	28	71	35	1.5"-UNF	CL002B	C2
31.75	85	44	84	40	1.5"-UNF	FRC40	C3

DEPTH STOP CLEVIS DIMENSIONS

A					F	PART NUMBER	CODE
25.4	89	28	68	35	1.125"-UNF	CLR-DS-10I-11I	D1
31.75	89	28	68	35	1.125"-UNF	CLR-DS-12I-11I	D2
31.75	89	28	68	35	1.5"-UNF	CLR-DS-12I-15I	D3

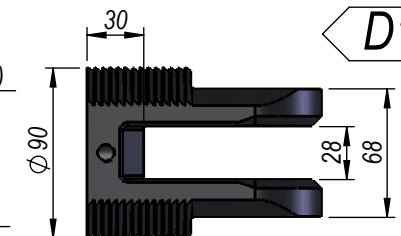
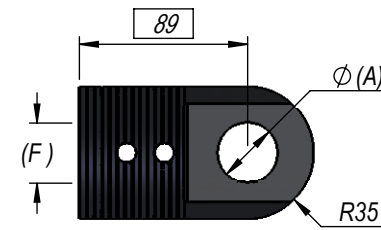
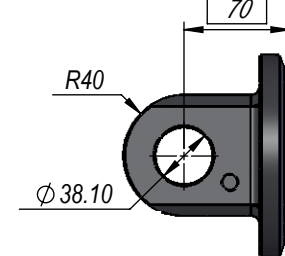
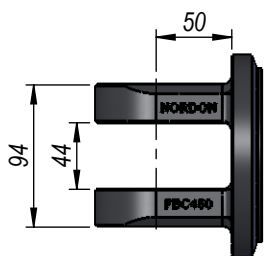
BC450B

C2



FBC450

C3



D1-D3

NOTE: ALL THREADS MACHINED TO 2A/B SPECIFICATION.
 ALL PIN HOLES MACHINED TO D9 TOLERANCE.

THIS DRAWING AND THE INFORMATION IT CONTAINS IS THE PROPERTY OF NORDON HYDRAULICS PTY LTD AND MAY NOT BE USED FOR ANY PURPOSE WITHOUT WRITTEN AUTHORISATION FROM THE COMPANY. DRAWINGS SUBJECT TO CHANGE WITHOUT NOTICE. E&OE

STD. CLOSED/OPEN \pm 3mm

NIP SERIES

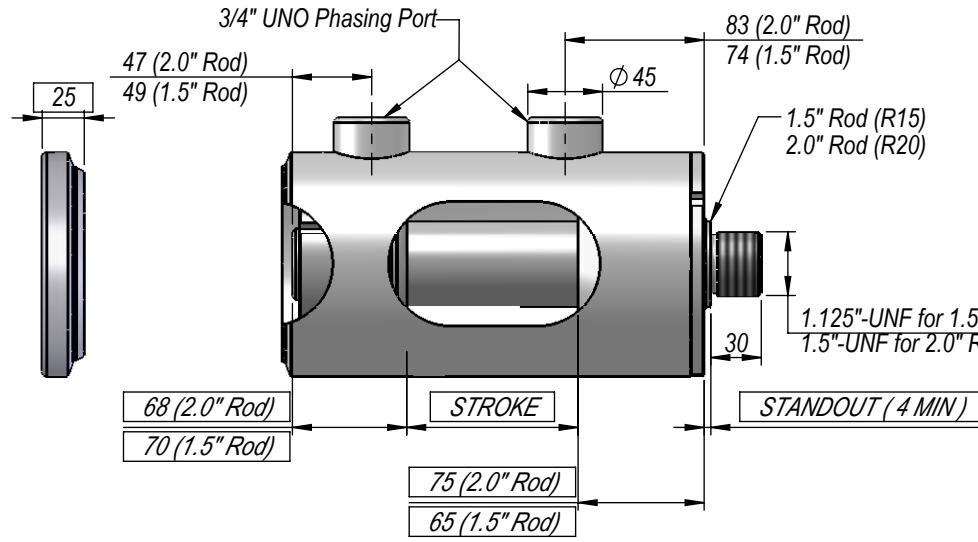
4.5" BORE

1.5" OR 2.0" ROD

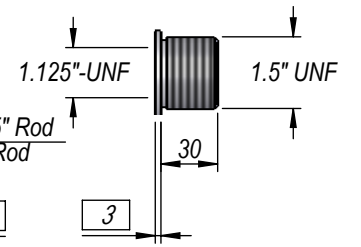
PHASING CYLINDER

EP4525
P1

DIMS IN BOXES TO BE USED FOR BUILD LENGTH



THREAD ADAPTOR
BU1511

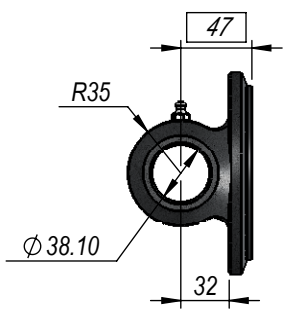
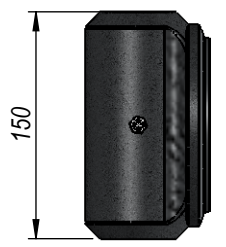


PHASING AVAILABLE AT BOTH ENDS, OR AT EITHER BASE OR ROD END ONLY.

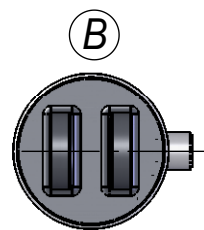
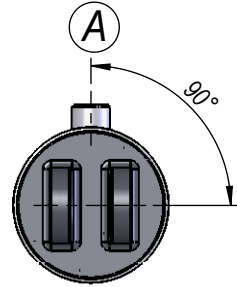
PIN-EYE

PBC450-15I150M

E1

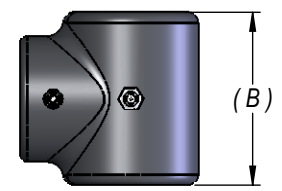
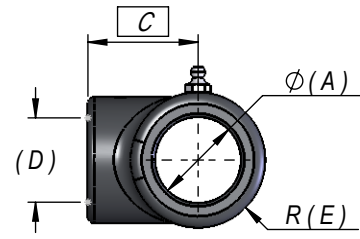


PORT POSITION



PIN-EYE

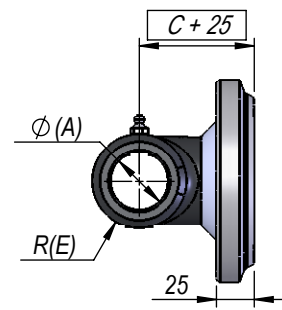
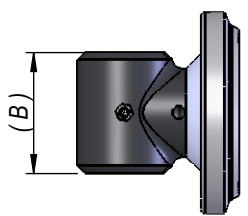
E1-E11



MALE LUG

ROD PIN-EYE (E1-E11) + EP4525

M1-M11



ROD END PIN EYE DIMENSIONS

A	B	C	D	E	PART NUMBER	CODE
25.4	50	48	1.125"-UNF	25	EC10I50M11I	E5
25.4	60	48	1.125"-UNF	28.5	EC10I60M11I	E6
25.4	74	51	1.125"-UNF	20	EC10I51M74M	E7
25.4	90	51	1.125"-UNF	20	EC10I51M90M	E8
25.4	128	51	1.125"-UNF	20	EC10I51M128M	E9
31.75	50	48	1.125"-UNF	28.5	EC12I50M11I	E10
31.75	60	48	1.125"-UNF	28.5	EC12I60M11I	E11
31.75	60	51	1.5"-UNF	31	EC12I60M15I	E4
38.1	80	51	1.5"-UNF	31	EC15I80M15I	E1

NOTE: ALL THREADS MACHINED TO 2A/B SPECIFICATION.
ALL PIN HOLES MACHINED TO D9 TOLERANCE.

THIS DRAWING AND THE INFORMATION IT CONTAINS IS THE PROPERTY OF NORDON HYDRAULICS PTY LTD AND MAY NOT BE USED FOR ANY PURPOSE WITHOUT WRITTEN AUTHORISATION FROM THE COMPANY. DRAWINGS SUBJECT TO CHANGE WITHOUT NOTICE. E&OE

STD. CLOSED/OPEN ± 3mm

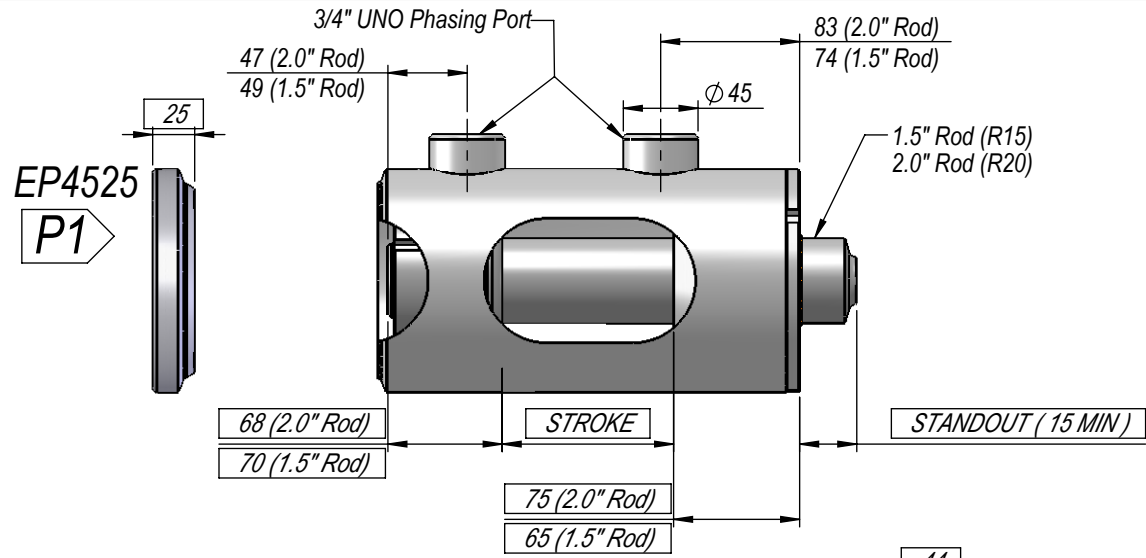
NIP SERIES

4.5" BORE

1.5" OR 2.0" ROD

PHASING CYLINDER

DIMS IN BOXES TO BE USED FOR BUILD LENGTH

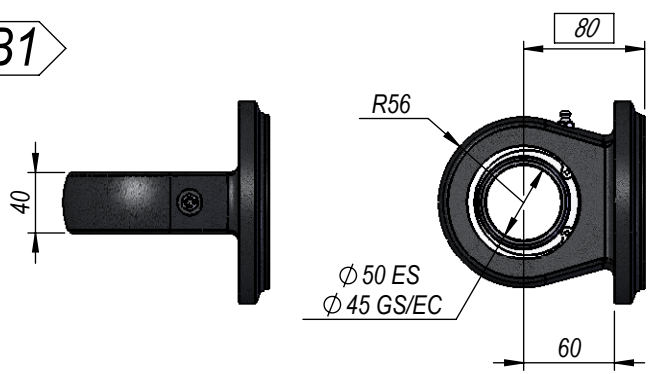


PHASING AVAILABLE AT BOTH ENDS, OR AT EITHER BASE OR ROD END ONLY.

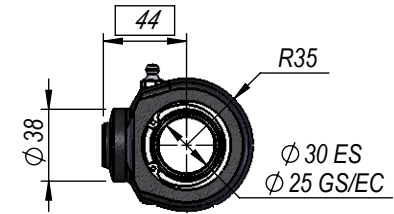
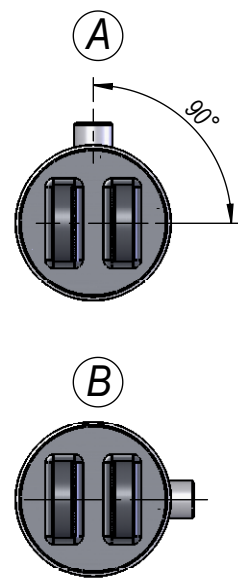
SPHERICAL BEARING

SB-450-50

B1



PORT POSITION



SPHERICAL BEARING

SBR30

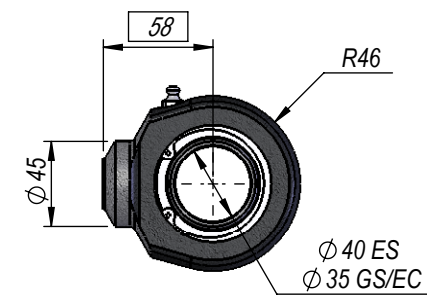
B1



(SUIT 1.5" Rod)

SBR40

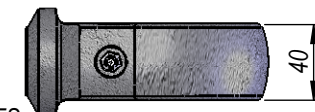
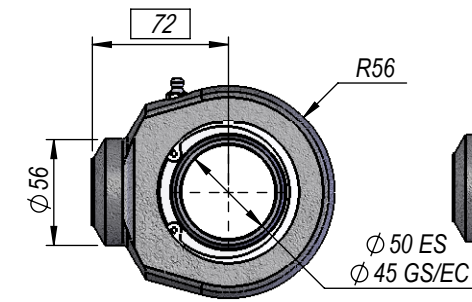
B2



(SUIT 2.0" Rod)

SBR50

B3



(SUIT 2" Rod)

NOTE: ALL THREADS MACHINED TO 2A/B SPECIFICATION.
ALL PIN HOLES MACHINED TO D9 TOLERANCE.

THIS DRAWING AND THE INFORMATION IT CONTAINS IS THE PROPERTY OF NORDON HYDRAULICS PTY LTD AND MAY NOT BE USED FOR ANY PURPOSE WITHOUT WRITTEN AUTHORISATION FROM THE COMPANY. DRAWINGS SUBJECT TO CHANGE WITHOUT NOTICE. E&OE

STD. CLOSED/OPEN ± 3mm