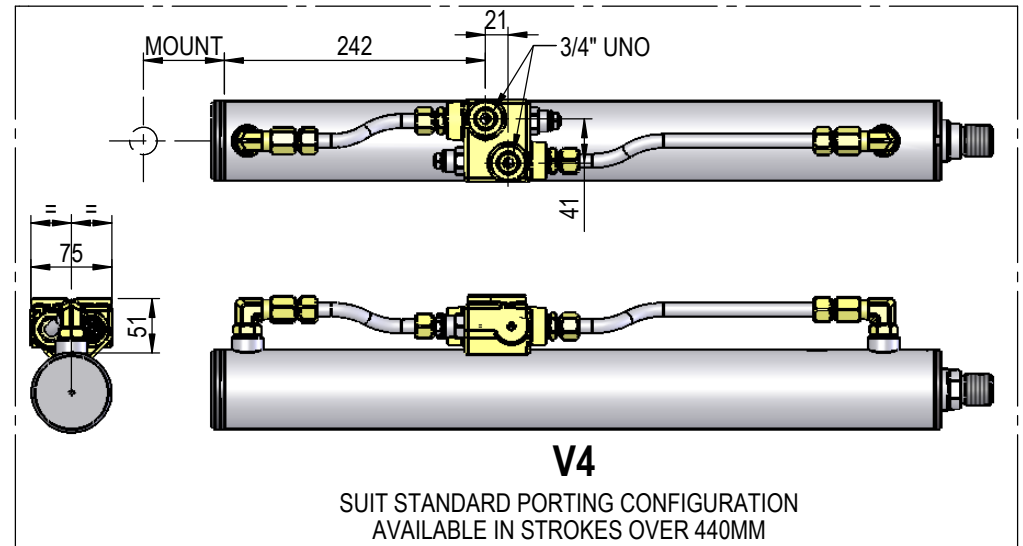
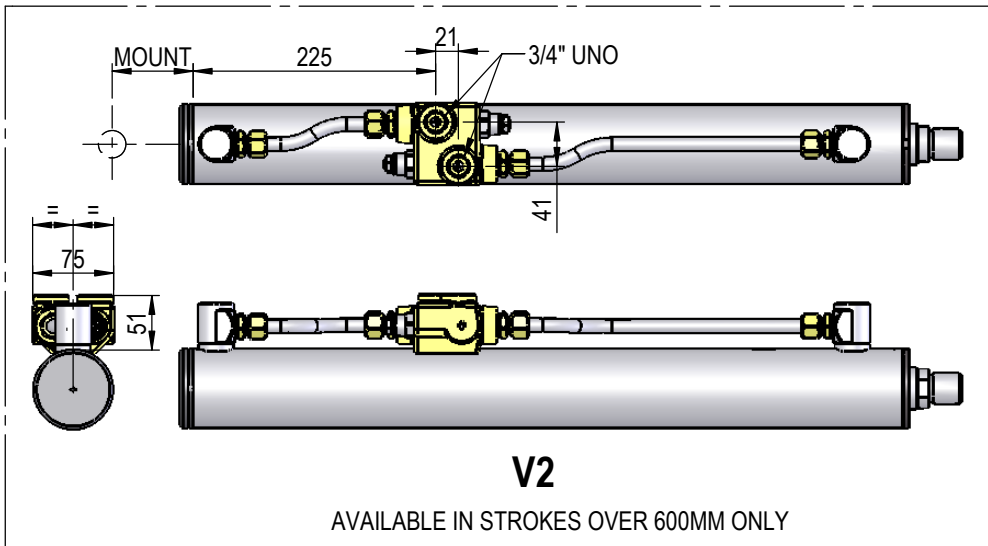
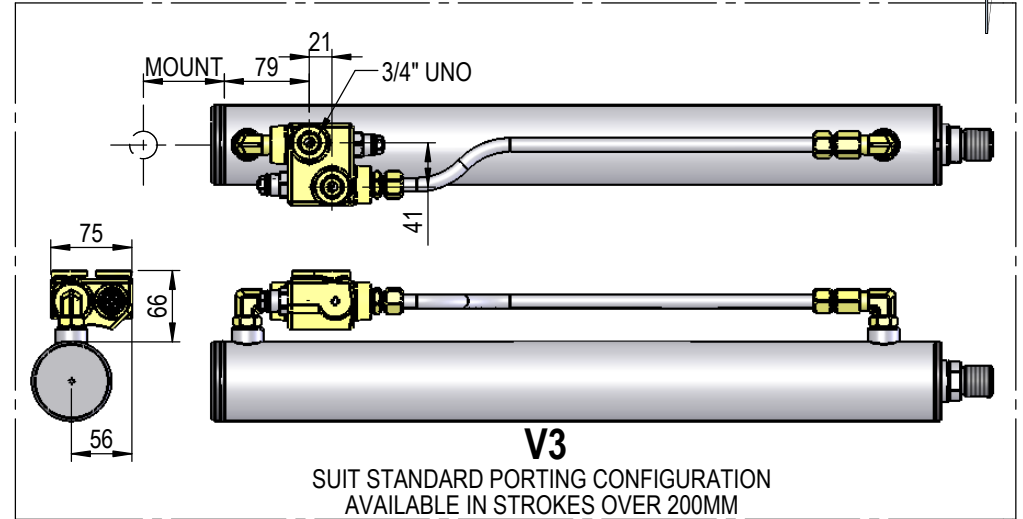
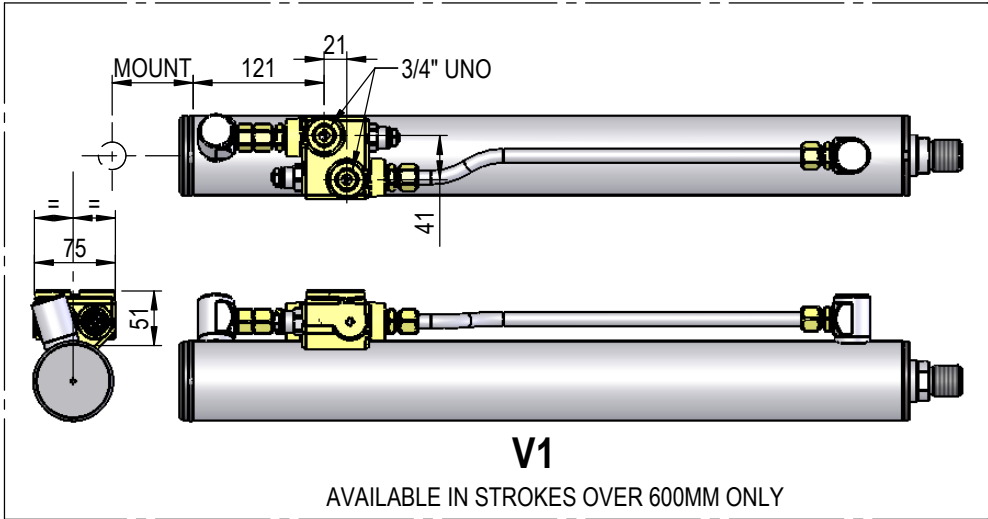


# VALVE MOUNTING OPTIONS



## Ordering System

	VALVE TYPE	CONFIGURATION No	SINGLE VALVE OPERATION SIDE
			(R) ROD SIDE (B) BASE SIDE
<b>Part No:</b>	.....	V.....	.....

VALVE TYPE	DESCRIPTION
DO1	60 LITRE DOUBLE OVERCENTRE VALVE
SO1	60 LITRE SINGLE OVERCENTRE VALVE
DC1	90 LITRE DOUBLE PILOT CHECK VALVE
SC1	90 LITRE SINGLE PILOT CHECK VALVE